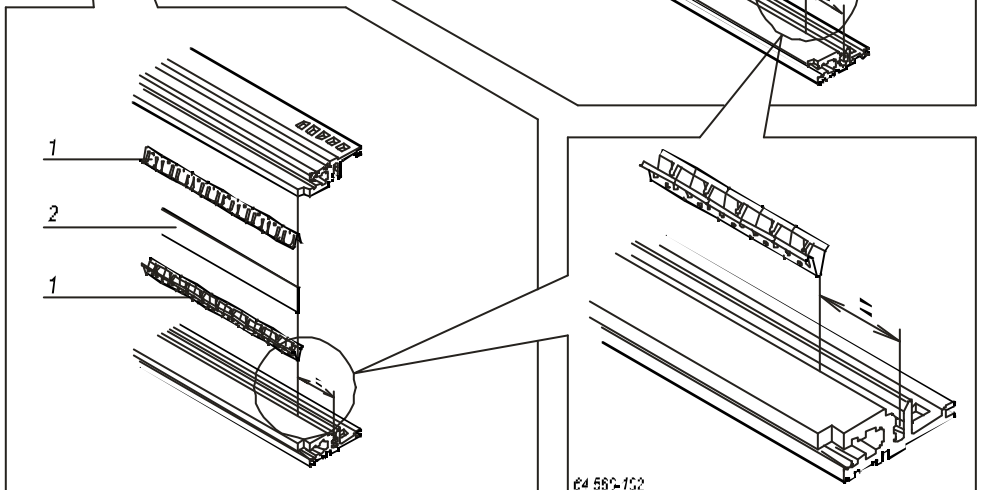
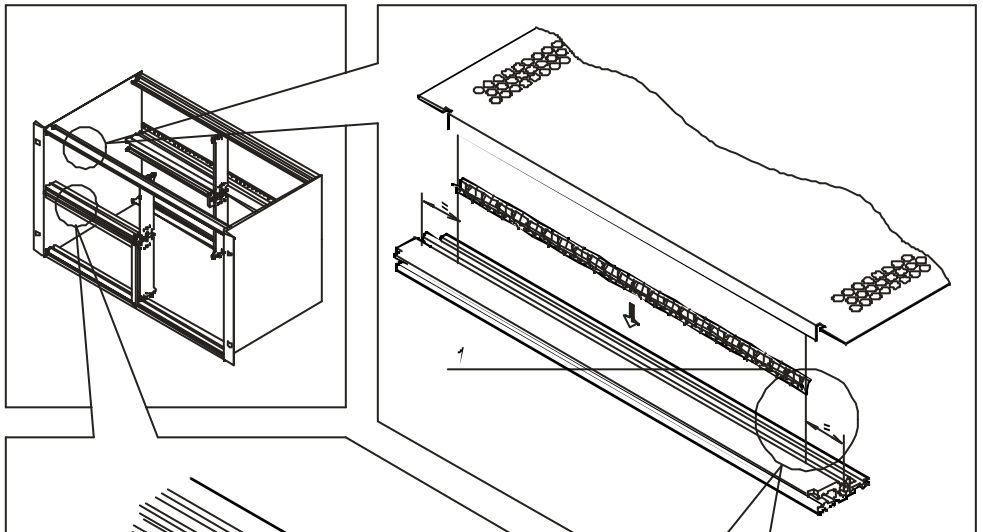
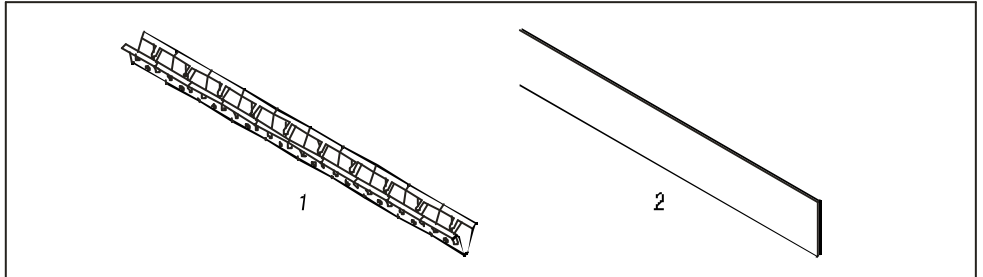


**Montageanweisung
DichtsatzAbdeckblech
europacPRO**

**Assemblyinstruction
Contact stripcoverplate
europacPRO**

**Instructionsdémontage
JointHF-Enjiveur
europacPRO**



64 560-102