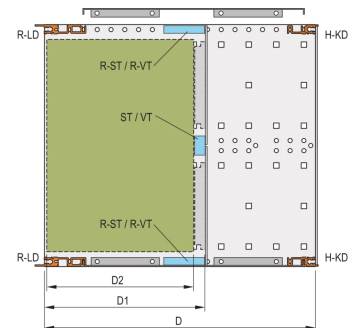
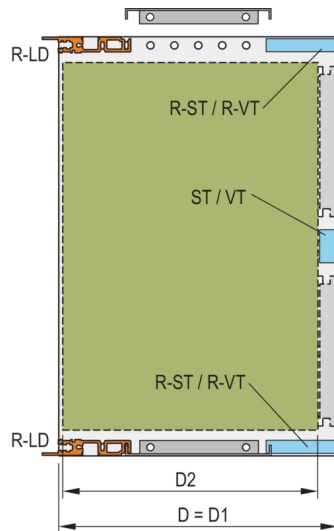
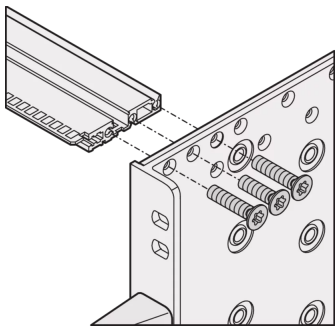
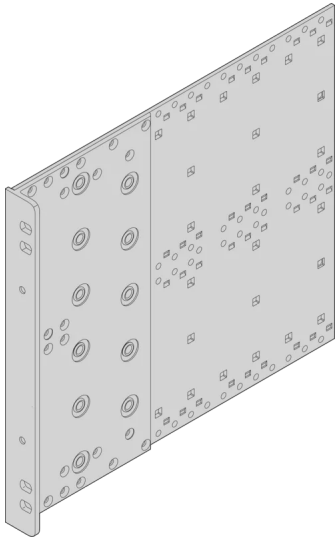
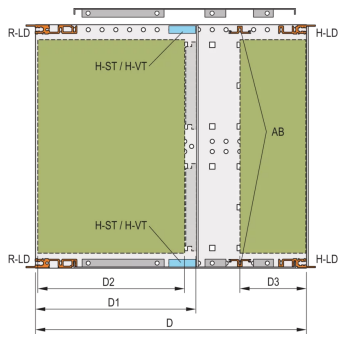


24568-447 EUROPACPRO SIDE PANEL FOR TEXTILE GASKET, TYPE R, 6 U, 235 MM





KEY FEATURES

For high mechanical loads up to 25 g (vibration resistance, shock and vibration requirements e.g. IEC 61587-DL 3)

For high mechanical demands, 19" bracket 3,5mm and side panel 3mm, tox-cold welded together, clear passivated, front anodized

EMC shielding concept for front/rear with EMC textile gasket

Four mounting holes per 19" bracket provide improved stability when screwing the subrack into a cabinet or open frame rack

With holes for handle

PRODUCT ATTRIBUTES

Product Type: Side Panel

Product Family: EuropacPRO

Type: Type R

Rack Height: 6 U

Board Depth: 235 mm

Package Quantity: 1

Package Unit: Pair

Depth: 235 mm

ADDITIONAL PRODUCT DETAILS

Side Panel, Type R, tox welded to the 19" bracket for textile gasket, with handle holes and four fixing holes per 19" bracket.

Please order front handle separately.

Other dimensions on request.

Please order screws for mounting horizontal rails and top cover/base plate separately.



North America

All locations
+1.763.422.2661
Chat with us:
schroff.nvent.com

Europe

Straubenhardt, Germany
+49.7082.794.0
Betschdorf, France
+33.3.88.90.64.90
Warsaw, Poland
+48.22.209.98.35
Assago, Italy
+39.02.932.7141
Chat with us:
schroff.nvent.com

Asia

Shanghai, China
+86.21.2412.6943
Qingdao, China
+86.532.8771.6101
Singapore
+65.6768.5800
Shin-Yokohama, Japan
+81.45.476.0271
Chat with us:
schroff.nvent.com

Middle East & India

Dubai, United Arab Emirates
+971.4.378.1700
Bangalore, India
+91.80.6715.2001
Istanbul, Turkey
+90.216.250.7374
Chat with us:
schroff.nvent.com



Our powerful portfolio of brands:
nVent.com **CADDY ERICO HOFFMAN RAYCHEM SCHROFF TRACER**