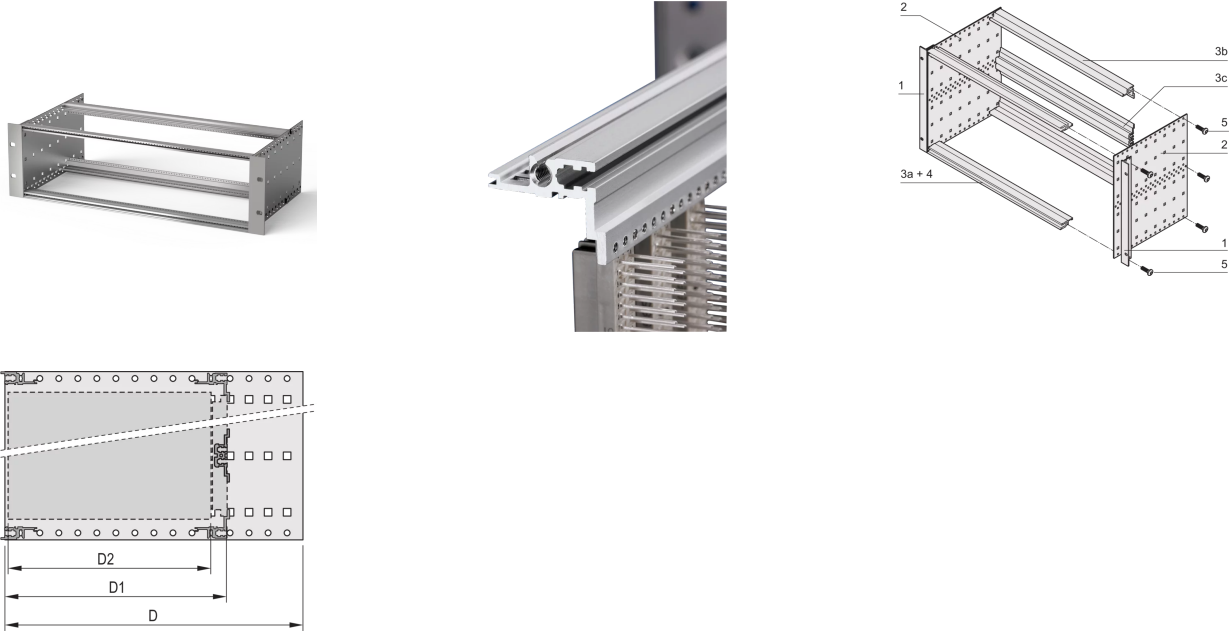


24553-492 EUROPACPRO 19" SUBRACK KIT FOR DIN CONNECTOR, SLIDE RAIL, 6 U, 235 MM



KEY FEATURES

Subrack with side panel type F ("flexible"), 19" bracket with notch for slide rail assembly

Installed load up to 11 kg

Subrack can be used with slide rails

Horizontal rails, rear, for connector mounting (IEC 60603-2 / DIN 41612)

Threaded insert pre-fitted

PRODUCT ATTRIBUTES

Product Type: Subrack/Chassis

Rack Height: 6 U

Rack Width: 84 HP

Depth: 235 mm

For Mounting: DIN Connector

Board Depth: 160 mm; 220 mm / 160 mm; 220 mm

EMC Shielding: No

EMC Gasket Type: Stainless Steel

Static Load: 11 kg

Handle Included: No

Mounting: Rack

Complies With: IEC 60297-3-103

Package Quantity: 1

ADDITIONAL PRODUCT DETAILS

Non-shielded subrack for Din Connector mounting EN 60603-2 , Subrack can be assembled on slide rails to support the subrack inside a cabinet.

Individual configuration: broad range of variants in height, width and depth; guide rails for a wide variety of applications; interior options; accessories and mounting material.

CERTIFICATIONS



North America

All locations
+1.763.422.2661
Chat with us:
schroff.nvent.com

Europe

Straubenhardt, Germany
+49.7082.794.0
Betschdorf, France
+33.3.88.90.64.90
Warsaw, Poland
+48.22.209.98.35
Assago, Italy
+39.02.932.7141
Chat with us:
schroff.nvent.com

Asia

Shanghai, China
+86.21.2412.6943
Qingdao, China
+86.532.8771.6101
Singapore
+65.6768.5800
Shin-Yokohama, Japan
+81.45.476.0271
Chat with us:
schroff.nvent.com

Middle East & India

Dubai, United Arab Emirates
+971.4.378.1700
Bangalore, India
+91.80.6715.2001
Istanbul, Turkey
+90.216.250.7374
Chat with us:
schroff.nvent.com



Our powerful portfolio of brands:
nVent.com **CADDY ERICO HOFFMAN RAYCHEM SCHROFF TRACER**

© 2023 nVent. All nVent marks and logos are owned or licensed by nVent Services GmbH or its affiliates. All other trademarks are the property of their respective owners.

nVent reserves the right to change specifications without notice.