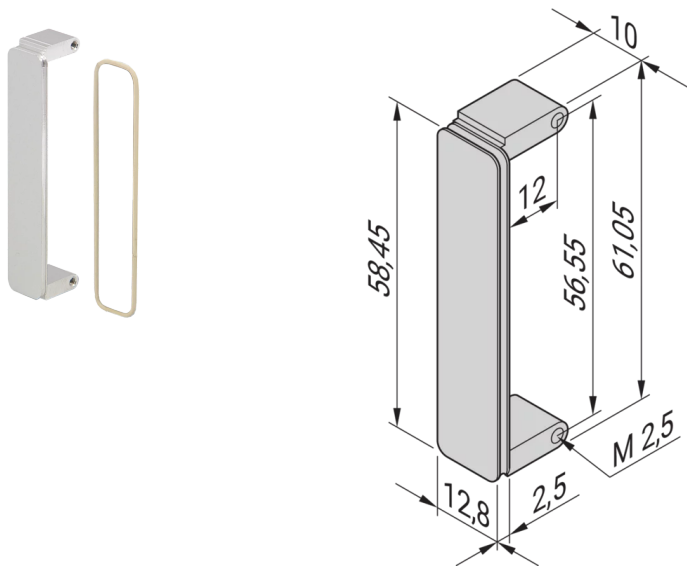


20835-849 BEZEL FOR FMC MEZZANINE FRONT PANEL CUTOUTS, VITA 57.1



KEY FEATURES

FMC bezel is fitted into FMC mezzanine front panel cutouts

FMC cover can optionally be shielded with conductive O-ring, please order this separately

Material, Al extrusion (anodized, surface conductive)

PRODUCT ATTRIBUTES

Type: Mezzanine Front Panel

Accessory Type: Front panel

Mounting: Snapped in

EMC Shielding: No (Retrofittable)

EMC Gasket Type: O-ring

Material: Aluminum

Front Finish: Anodized

Rear Finish: Conductive

Treated Edges: No

Height: 58.45 mm

Width: 12.8 mm

Depth: 2.5 mm

Complies With: FMC Mezzanine; IEEE P1386

Package Quantity: 10

ADDITIONAL PRODUCT DETAILS

A FMC bezel is fitted into FMC mezzanine front panel cutouts, Kit of 10 FMC bezels.

Please order EMC O-ring gasket separately.

CERTIFICATIONS



North America

All locations

+1.763.422.2661

Chat with us:

schroff.nvent.com

Europe

Straubenhardt, Germany

+49.7082.794.0

Betschdorf, France

+33.3.88.90.64.90

Warsaw, Poland

+48.22.209.98.35

Assago, Italy

+39.02.932.7141

Chat with us:

schroff.nvent.com

Asia

Shanghai, China

+86.21.2412.6943

Qingdao, China

+86.532.8771.6101

Singapore

+65.6768.5800

Shin-Yokohama, Japan

+81.45.476.0271

Chat with us:

schroff.nvent.com

Middle East & India

Dubai, United Arab Emirates

+971.4.378.1700

Bangalore, India

+91.80.6715.2001

Istanbul, Turkey

+90.216.250.7374

Chat with us:

schroff.nvent.com



Our powerful portfolio of brands:
nVent.com **CADDY ERICO HOFFMAN RAYCHEM SCHROFF TRACER**

© 2023 nVent. All nVent marks and logos are owned or licensed by nVent Services GmbH or its affiliates. All other trademarks are the property of their respective owners.

nVent reserves the right to change specifications without notice.