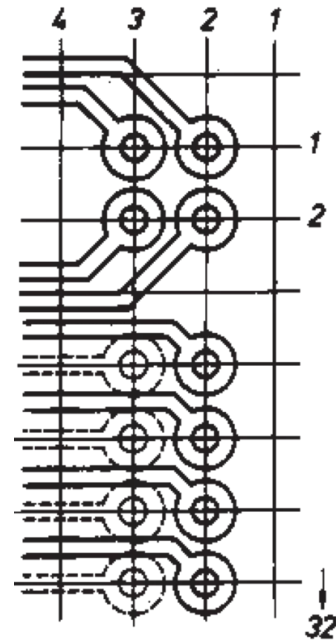
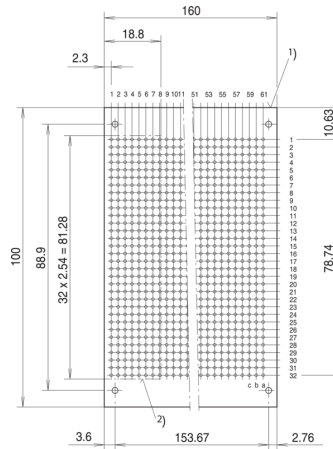
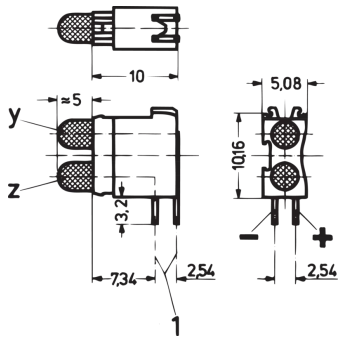


69004-124 DOUBLE LED, SHORT TYPE, Ø 3.2 MM, MOUNTING PLANE 1, RED RED



KEY FEATURES

Short type for mounting plane 1

PRODUCT ATTRIBUTES

Product Type: LED

Type: Double LED

Works With: Front Panels

ADDITIONAL PRODUCT DETAILS

A light-emitting diode (LED) is a semiconductor device that emits light when an electric current flows in the forward direction.

Required front panel drill hole: Ø-4-mm.

Dimensions of connecting pins: 0.5 × 0.5 mm.



North America

All locations
+1.763.422.2661
Chat with us:
schroff.nvent.com

Europe

Straubenhardt, Germany
+49.7082.794.0
Betschdorf, France
+33.3.88.90.64.90
Warsaw, Poland
+48.22.209.98.35
Assago, Italy
+39.02.932.7141
Chat with us:
schroff.nvent.com

Asia

Shanghai, China
+86.21.2412.6943
Qingdao, China
+86.532.8771.6101
Singapore
+65.6768.5800
Shin-Yokohama, Japan
+81.45.476.0271
Chat with us:
schroff.nvent.com

Middle East & India

Dubai, United Arab Emirates
+971.4.378.1700
Bangalore, India
+91.80.6715.2001
Istanbul, Turkey
+90.216.250.7374
Chat with us:
schroff.nvent.com



Our powerful portfolio of brands:
nVent.com **CADDY ERICO HOFFMAN RAYCHEM SCHROFF TRACER**