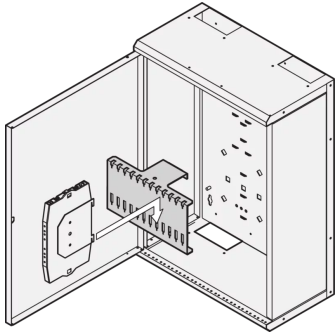




SCHROFF

60239-012 LAN CASE SPLICING CASSETTE HOLDER



KEY FEATURES

To accommodate 12 splicing cassettes that are assembled on push-on plates

The splicing cassette holder is assembled in the case rear panel

Assembly without screws

PRODUCT ATTRIBUTES

Product Type: Mounting Plate

ADDITIONAL PRODUCT DETAILS

Lan-Case Splicing Cassette Holder to accommodate up to 12 splicing cassettes that are assembled on push-on plates.

Please order push-on plates separately.

CERTIFICATIONS



North America

All locations

+1.763.422.2661

Chat with us:

schroff.nvent.com

Europe

Straubenhardt, Germany

+49.7082.794.0

Betschdorf, France

+33.3.88.90.64.90

Warsaw, Poland

+48.22.209.98.35

Assago, Italy

+39.02.932.7141

Chat with us:

schroff.nvent.com

Asia

Shanghai, China

+86.21.2412.6943

Qingdao, China

+86.532.8771.6101

Singapore

+65.6768.5800

Shin-Yokohama, Japan

+81.45.476.0271

Chat with us:

schroff.nvent.com

Middle East & India

Dubai, United Arab Emirates

+971.4.378.1700

Bangalore, India

+91.80.6715.2001

Istanbul, Turkey

+90.216.250.7374

Chat with us:

schroff.nvent.com



Our powerful portfolio of brands:
nVent.com **CADDY ERICO HOFFMAN RAYCHEM SCHROFF TRACER**

© 2023 nVent. All nVent marks and logos are owned or licensed by nVent Services GmbH or its affiliates. All other trademarks are the property of their respective owners.

nVent reserves the right to change specifications without notice.