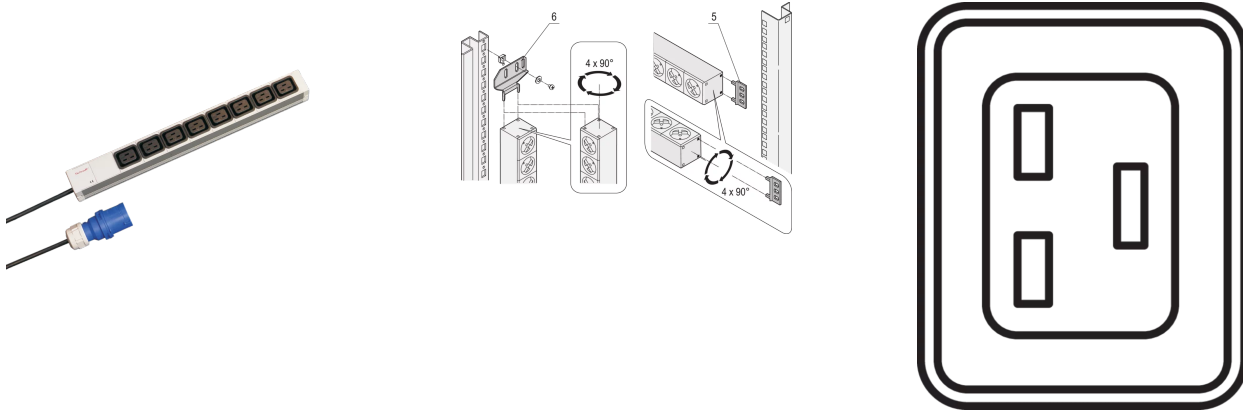


60110-280 SOCKET STRIP, IEC C19, 16 A, IEC 60309 PLUG, 8X IEC C19, 19"



KEY FEATURES

Socket strips with C19 IEC sockets

Socket strips can be rotated through all four directions (in 90° increments) during installation

Connecting cable 2 m, with connector in accordance with IEC 60309

Mounting height 1 U

PRODUCT ATTRIBUTES

Socket Type: IEC C19

Number of Sockets: 8

Color: Grey

With Switch: No

Length: 438.5 mm

Voltage AC: 230 V

Depth: 44 mm

Height: 44 mm

ADDITIONAL PRODUCT DETAILS

Modular, compact PDU with many function elements. Using a 1 U by 1 U aluminum chassis the PDU can easily be integrated in a rack with IEC C19 outlets.

Please order bracket for vertical mounting separately.

CERTIFICATIONS



North America

All locations
+1.763.422.2661
Chat with us:
schroff.nvent.com

Europe

Straubenhardt, Germany
+49.7082.794.0
Betschdorf, France
+33.3.88.90.64.90
Warsaw, Poland
+48.22.209.98.35
Assago, Italy
+39.02.932.7141
Chat with us:
schroff.nvent.com

Asia

Shanghai, China
+86.21.2412.6943
Qingdao, China
+86.532.8771.6101
Singapore
+65.6768.5800
Shin-Yokohama, Japan
+81.45.476.0271
Chat with us:
schroff.nvent.com

Middle East & India

Dubai, United Arab Emirates
+971.4.378.1700
Bangalore, India
+91.80.6715.2001
Istanbul, Turkey
+90.216.250.7374
Chat with us:
schroff.nvent.com



Our powerful portfolio of brands:
nVent.com **CADDY ERICO HOFFMAN RAYCHEM SCHROFF TRACER**

© 2023 nVent. All nVent marks and logos are owned or licensed by nVent Services GmbH or its affiliates. All other trademarks are the property of their respective owners.

nVent reserves the right to change specifications without notice.