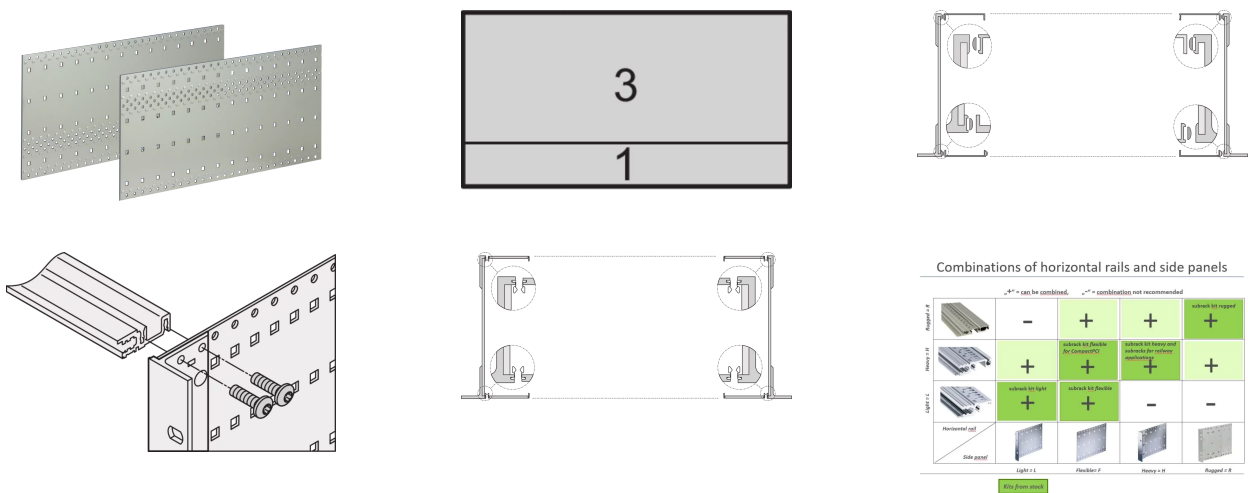


34560-285 EUROPACPRO SIDE PANEL, TYPE F, FLEXIBLE, 4 U, 175 MM



KEY FEATURES

Flat side panel for separate screw-mountable 19" bracket

Versions for EMC sealing (stainless steel or textile) side panels type F, 19" bracket, corner profile, EMC sealing, wall mounting, side panel linking, handles, panel fitting

PRODUCT ATTRIBUTES

Product Type: Side Panel

Product Family: EuropacPRO

Type: Type F

Rack Height: 4 U

Package Quantity: 1

Depth: 175 mm

ADDITIONAL PRODUCT DETAILS

Flat Side Panel for separate screw-mountable 19" bracket.

Further components for construction of a shielded or unshielded subrack: 19" bracket, corner profile; Horizontal rails; Guide rails; Cover plates; Rear/front; Handles; EMC shielding; Internal assemblies.



North America

All locations
+1.763.422.2661
Chat with us:
schroff.nvent.com

Europe

Straubenhardt, Germany
+49.7082.794.0
Betschdorf, France
+33.3.88.90.64.90
Warsaw, Poland
+48.22.209.98.35
Assago, Italy
+39.02.932.7141
Chat with us:
schroff.nvent.com

Asia

Shanghai, China
+86.21.2412.6943
Qingdao, China
+86.532.8771.6101
Singapore
+65.6768.5800
Shin-Yokohama, Japan
+81.45.476.0271
Chat with us:
schroff.nvent.com

Middle East & India

Dubai, United Arab Emirates
+971.4.378.1700
Bangalore, India
+91.80.6715.2001
Istanbul, Turkey
+90.216.250.7374
Chat with us:
schroff.nvent.com



Our powerful portfolio of brands:
nVent.com **CADDY ERICO HOFFMAN RAYCHEM SCHROFF TRACER**