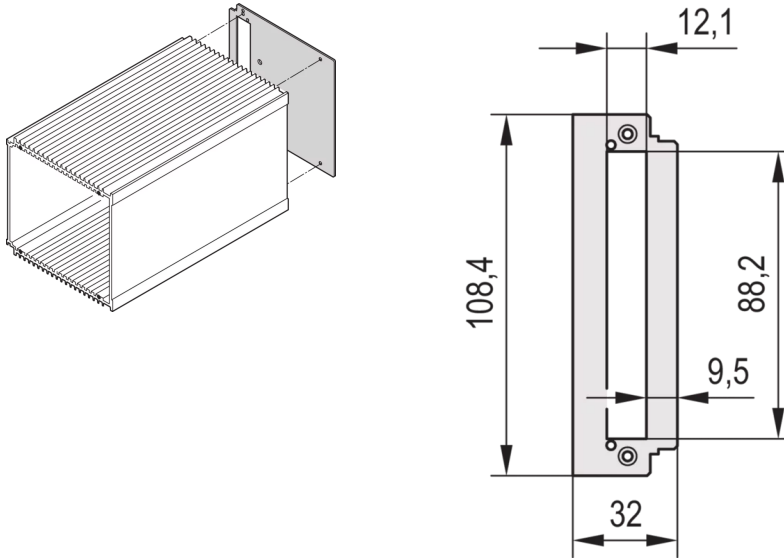


30809-641 HF FRAME TYPE PLUG-IN UNIT REAR PANEL, CUT-OUT FOR ONE CONNECTOR, 3 U, 7 HP



KEY FEATURES

Rear Panel for HF frame type plug-in unit, with cut-out for one connector

PRODUCT ATTRIBUTES

Product Type: Side Panel

Type: Rear Panel

Rack Width: 7 HP

Package Quantity: 5

ADDITIONAL PRODUCT DETAILS

Rear Panel for HF frame type plug-in unit, with cut-out for one connector enable a user to assemble a connector. In accordance with EN 60603-2.

Please take into consideration that deliveries may be carried out in the stated SPQs (SPQ, e.g. 5 pieces, 10 pieces, 50 pieces, etc.). Differing order quantities (e.g. 2 pieces) may be changed to the next possible delivery quantity = Standard Pack Quantity.

Rear Panel for HF plug-in units can be modified with Front Panel Configurator.

The cut-outs in the rear Panel suit the following EN-60603 (DIN-41612) connector types: 7 HPB, C, D, R10 - 28 HPB, C, D, R, F, H, MF, MHRear Panels with cut-outs for connectors reduce effectiveness of EMC sealing.

CERTIFICATIONS



North America

All locations
+1.763.422.2661
Chat with us:
schroff.nvent.com

Europe

Straubenhardt, Germany
+49.7082.794.0
Betschdorf, France
+33.3.88.90.64.90
Warsaw, Poland
+48.22.209.98.35
Assago, Italy
+39.02.932.7141
Chat with us:
schroff.nvent.com

Asia

Shanghai, China
+86.21.2412.6943
Qingdao, China
+86.532.8771.6101
Singapore
+65.6768.5800
Shin-Yokohama, Japan
+81.45.476.0271
Chat with us:
schroff.nvent.com

Middle East & India

Dubai, United Arab Emirates
+971.4.378.1700
Bangalore, India
+91.80.6715.2001
Istanbul, Turkey
+90.216.250.7374
Chat with us:
schroff.nvent.com



Our powerful portfolio of brands:
nVent.com **CADDY ERICO HOFFMAN RAYCHEM SCHROFF TRACER**

© 2023 nVent. All nVent marks and logos are owned or licensed by nVent Services GmbH or its affiliates. All other trademarks are the property of their respective owners.

nVent reserves the right to change specifications without notice.