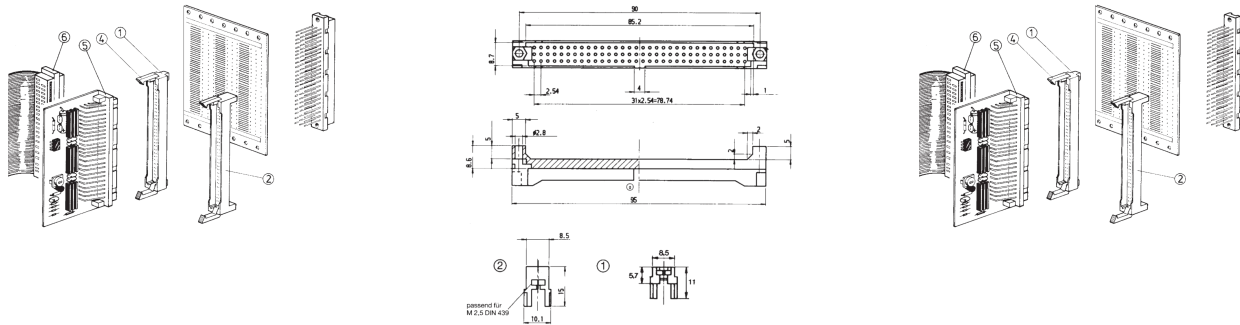


29090-002 CONNECTOR HOUSING FOR TYPE C AND R, BLANK THICKNESS 3.2 MM, POSTS 13 MM



**KEY FEATURES**

The connector housing is fixed to the board with screws; it is installed over wire wrap posts (e.g. on the rear of backplanes) and forms a male connector

For types C and R

Locking levers can be used e.g. to lock terminator boards or I/O connectors in place

**PRODUCT ATTRIBUTES**

Product Type: Connector Housing

Works With: Connectors

**ADDITIONAL PRODUCT DETAILS**

The connector housing is fixed to the board with screws; it is installed over wire wrap posts (e.g. on the rear of backplanes) and forms a male connector.

**CERTIFICATIONS**



### North America

All locations

+1.763.422.2661

Chat with us:

[schroff.nvent.com](https://schroff.nvent.com)

### Europe

Straubenhardt, Germany

+49.7082.794.0

Betschdorf, France

+33.3.88.90.64.90

Warsaw, Poland

+48.22.209.98.35

Assago, Italy

+39.02.932.7141

Chat with us:

[schroff.nvent.com](https://schroff.nvent.com)

### Asia

Shanghai, China

+86.21.2412.6943

Qingdao, China

+86.532.8771.6101

Singapore

+65.6768.5800

Shin-Yokohama, Japan

+81.45.476.0271

Chat with us:

[schroff.nvent.com](https://schroff.nvent.com)

### Middle East & India

Dubai, United Arab Emirates

+971.4.378.1700

Bangalore, India

+91.80.6715.2001

Istanbul, Turkey

+90.216.250.7374

Chat with us:

[schroff.nvent.com](https://schroff.nvent.com)



Our powerful portfolio of brands:  
[nVent.com](https://nVent.com) **CADDY ERICO HOFFMAN RAYCHEM SCHROFF TRACER**

© 2023 nVent. All nVent marks and logos are owned or licensed by nVent Services GmbH or its affiliates. All other trademarks are the property of their respective owners.

nVent reserves the right to change specifications without notice.