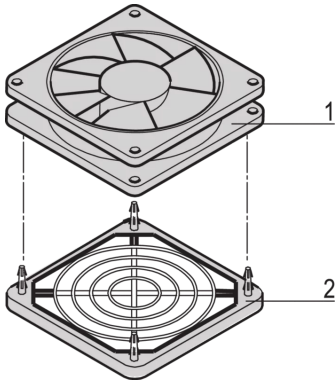


27230-077 NOVASTAR TOP COVER FAN, HEIGHT 25 MM, 84...90 M³/H



KEY FEATURES

Axial fan with protective grills

PRODUCT ATTRIBUTES

Product Type: Fan

Product Family: Novastar

Works With: Cabinet

Voltage AC: 230 V

Depth: 119 mm

Color: Black

Height: 25 mm

Width: 119 mm

ADDITIONAL PRODUCT DETAILS

Top covers with fans are compact active cooling units which do not consume rack space. The Novastar fan for top cover comes with protective grills.

CERTIFICATIONS

EAC



North America

All locations

+1.763.422.2661

Chat with us:

schroff.nvent.com

Europe

Straubenhardt, Germany

+49.7082.794.0

Betschdorf, France

+33.3.88.90.64.90

Warsaw, Poland

+48.22.209.98.35

Assago, Italy

+39.02.932.7141

Chat with us:

schroff.nvent.com

Asia

Shanghai, China

+86.21.2412.6943

Qingdao, China

+86.532.8771.6101

Singapore

+65.6768.5800

Shin-Yokohama, Japan

+81.45.476.0271

Chat with us:

schroff.nvent.com

Middle East & India

Dubai, United Arab Emirates

+971.4.378.1700

Bangalore, India

+91.80.6715.2001

Istanbul, Turkey

+90.216.250.7374

Chat with us:

schroff.nvent.com



Our powerful portfolio of brands:
nVent.com **CADDY ERICO HOFFMAN RAYCHEM SCHROFF TRACER**

© 2023 nVent. All nVent marks and logos are owned or licensed by nVent Services GmbH or its affiliates. All other trademarks are the property of their respective owners.

nVent reserves the right to change specifications without notice.