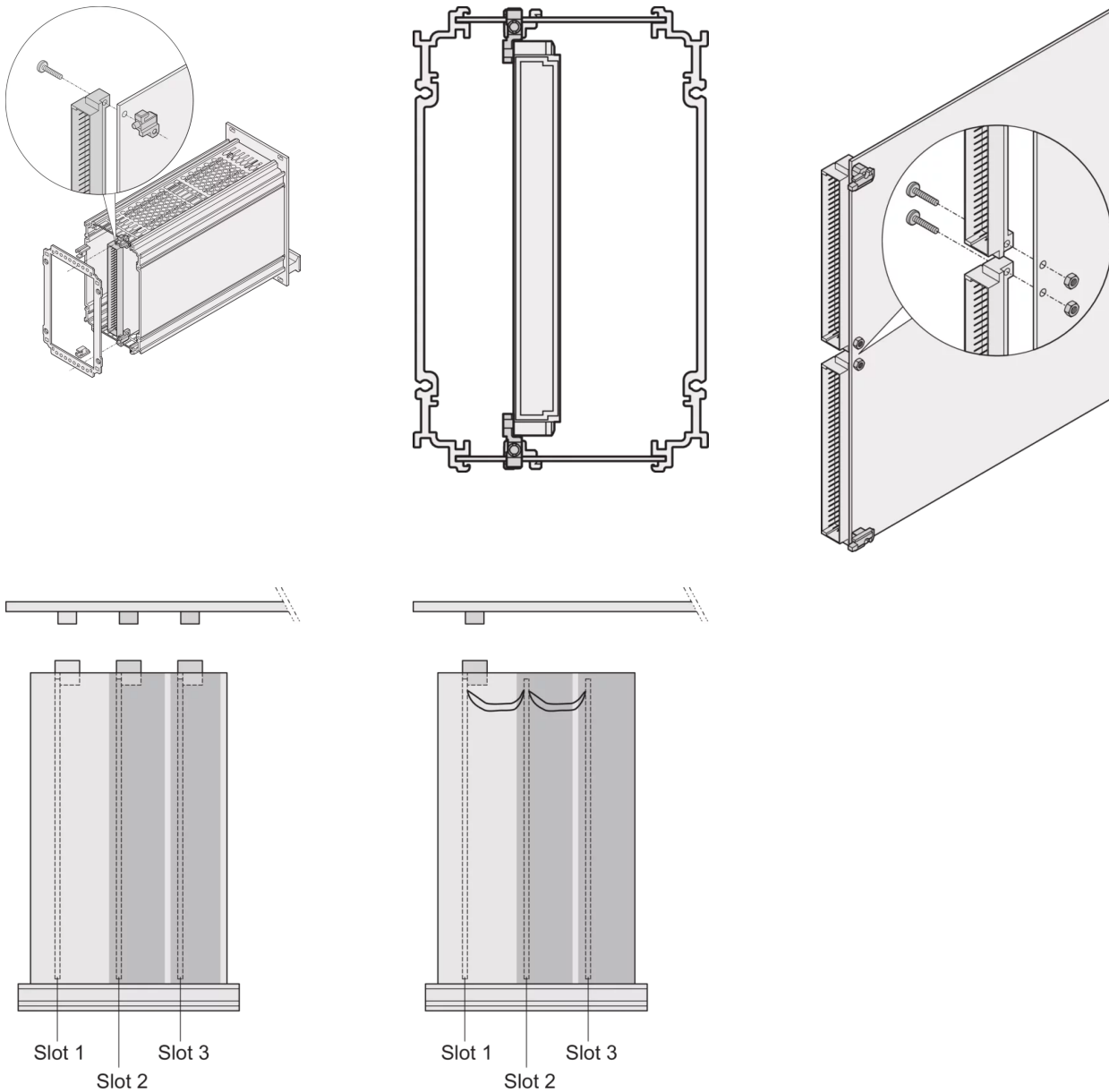


24812-302 FRAME TYPE PLUG-IN UNIT PCB MOUNTING SUPPORT FROM SLOT 2 ON, 50 PAIRS



KEY FEATURES

PCB is inserted into the guide rails mounted inside the plug-in unit

Fixing occurs when the rear Panel is fitted

Suitable for frame type plug-in units with guide rails

PRODUCT ATTRIBUTES

Product Type: Hardware Kit

Type: Board Fixing, Slot 2

Works With: Cassettes

ADDITIONAL PRODUCT DETAILS

PCB is inserted into the guide groove of the left side Panel or that of the side Panel rear angle, From Slot 2 on.

Torx panhead screw (24560-178) is required to fix PCB without connector. Torx panhead screw (24812-600) is required to fix connector to PCB, in 6 U frame type plug-in units (center).

CERTIFICATIONS



North America

All locations
+1.763.422.2661
Chat with us:
schroff.nvent.com

Europe

Straubenhardt, Germany
+49.7082.794.0
Betschdorf, France
+33.3.88.90.64.90
Warsaw, Poland
+48.22.209.98.35
Assago, Italy
+39.02.932.7141
Chat with us:
schroff.nvent.com

Asia

Shanghai, China
+86.21.2412.6943
Qingdao, China
+86.532.8771.6101
Singapore
+65.6768.5800
Shin-Yokohama, Japan
+81.45.476.0271
Chat with us:
schroff.nvent.com

Middle East & India

Dubai, United Arab Emirates
+971.4.378.1700
Bangalore, India
+91.80.6715.2001
Istanbul, Turkey
+90.216.250.7374
Chat with us:
schroff.nvent.com



Our powerful portfolio of brands:
nVent.com **CADDY ERICO HOFFMAN RAYCHEM SCHROFF TRACER**

© 2023 nVent. All nVent marks and logos are owned or licensed by nVent Services GmbH or its affiliates. All other trademarks are the property of their respective owners.

nVent reserves the right to change specifications without notice.