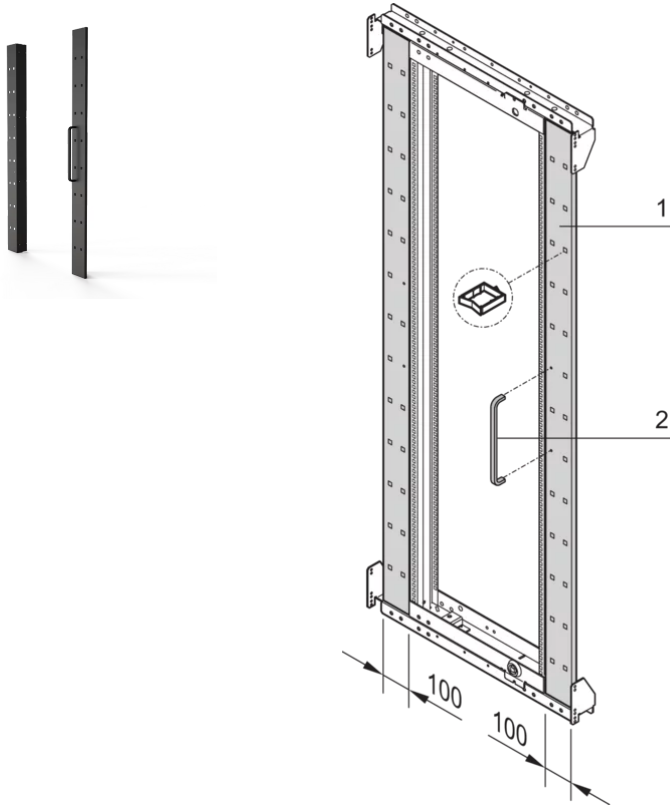


21130-443 VARISTAR 19" SWING CABINET FRAME TRIM, 29 U SYMMETRICAL ASSEMBLY



**KEY FEATURES**

Includes handle and cut-out for cable eyes

To cover the gap between swing frame and cabinet upright for 800 mm wide cabinets

Max. swing bracket: 120 or 160

For swing frame with load-carrying capacity 150 kg, a stop is recommended for security reasons

Locking no. 333

Spare key for DIN semi-profile cylinder

**PRODUCT ATTRIBUTES**

Product Type: Cabinet/Rack Frame

Product Family: Varistar

Type: Swing

Frame Material: Steel

Color: Black Grey

Color Code: RAL 7021

Rack Height: 29 U

Width: 800 mm

## ADDITIONAL PRODUCT DETAILS

---

Varistar swing frame provides optimum space usage inside the rack. The swing frames come with handles.

## CERTIFICATIONS

---



### North America

All locations  
+1.763.422.2661  
Chat with us:  
[schroff.nvent.com](https://schroff.nvent.com)

### Europe

Straubenhardt, Germany  
+49.7082.794.0  
Betschdorf, France  
+33.3.88.90.64.90  
Warsaw, Poland  
+48.22.209.98.35  
Assago, Italy  
+39.02.932.7141  
Chat with us:  
[schroff.nvent.com](https://schroff.nvent.com)

### Asia

Shanghai, China  
+86.21.2412.6943  
Qingdao, China  
+86.532.8771.6101  
Singapore  
+65.6768.5800  
Shin-Yokohama, Japan  
+81.45.476.0271  
Chat with us:  
[schroff.nvent.com](https://schroff.nvent.com)

### Middle East & India

Dubai, United Arab Emirates  
+971.4.378.1700  
Bangalore, India  
+91.80.6715.2001  
Istanbul, Turkey  
+90.216.250.7374  
Chat with us:  
[schroff.nvent.com](https://schroff.nvent.com)



Our powerful portfolio of brands:  
[nVent.com](https://nVent.com) **CADDY ERICO HOFFMAN RAYCHEM SCHROFF TRACER**

© 2023 nVent. All nVent marks and logos are owned or licensed by nVent Services GmbH or its affiliates. All other trademarks are the property of their respective owners.

nVent reserves the right to change specifications without notice.