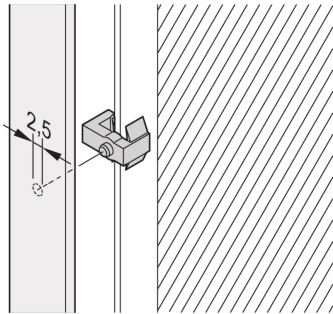


21101-751 PLUG-IN UNIT CENTER SUPPORT FOR PRINTED BOARDS, 6 U



KEY FEATURES

Also suitable for SMD applications

The support fixes the location of the printed board to the front panel

PRODUCT ATTRIBUTES

Product Type: Clip

Type: Clip

Works With: Front Panels

Rack Height: 6 U

Complies With: EN 50155, R22, HL3

Material: Polycarbonate

Flammability Rating: UL® 94V-0

ADDITIONAL PRODUCT DETAILS

Fixing clip for PCB assembly to front panel with extractor handle keyform 1.

North America

All locations

+1.763.422.2661

Chat with us:

schroff.nvent.com

Europe

Straubenhardt, Germany

+49.7082.794.0

Betschdorf, France

+33.3.88.90.64.90

Warsaw, Poland

+48.22.209.98.35

Assago, Italy

+39.02.932.7141

Chat with us:

schroff.nvent.com

Asia

Shanghai, China

+86.21.2412.6943

Qingdao, China

+86.532.8771.6101

Singapore

+65.6768.5800

Shin-Yokohama, Japan

+81.45.476.0271

Chat with us:

schroff.nvent.com

Middle East & India

Dubai, United Arab Emirates

+971.4.378.1700

Bangalore, India

+91.80.6715.2001

Istanbul, Turkey

+90.216.250.7374

Chat with us:

schroff.nvent.com



Our powerful portfolio of brands:
nVent.com **CADDY ERICO HOFFMAN RAYCHEM SCHROFF TRACER**

© 2023 nVent. All nVent marks and logos are owned or licensed by nVent Services GmbH or its affiliates. All other trademarks are the property of their respective owners.

nVent reserves the right to change specifications without notice.