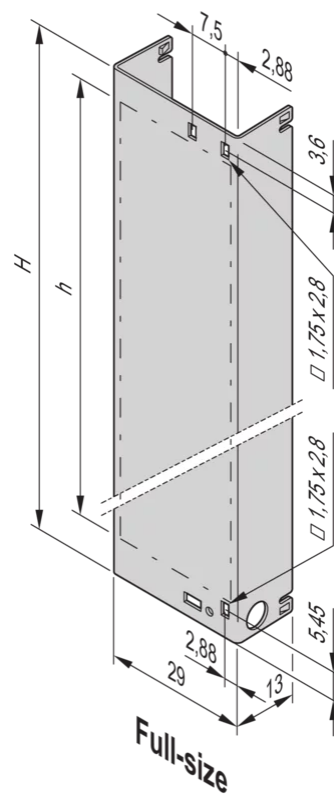
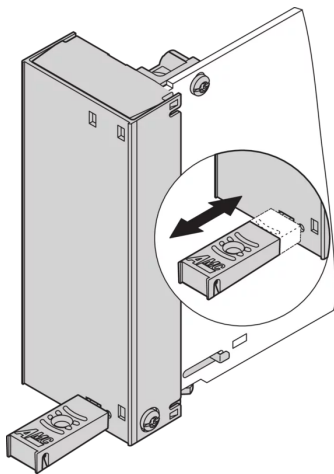
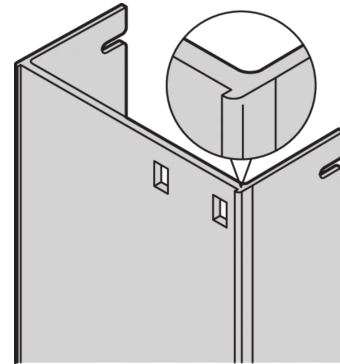
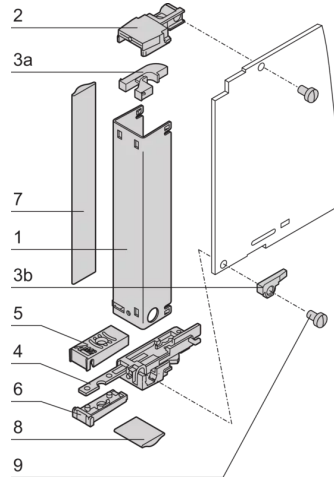
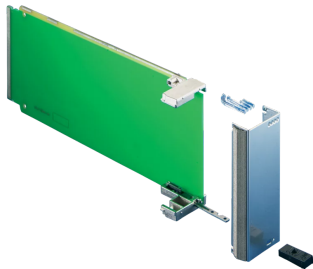


20849-271 AMC MODULE WITH PULL HANDLE, AMC.0 R2.0, DOUBLE FULL-SIZE, ALUMINUM



KEY FEATURES

In accordance with AMC.0 R2.0 specification

For installation in MicroTCA chassis or AdvancedMC carriers (e.g. conventional, cutaway and hybrid carriers)

PRODUCT ATTRIBUTES

Product Type: System Module

Product Family: AdvancedMC

Height: 148.8 mm

Type: Filler Module

Material: Aluminum

ADDITIONAL PRODUCT DETAILS

AdvancedMC Front Panel including handle mechanism and EMC gasket for AMC.0 Rev. 2.0 Modules.

CERTIFICATIONS



North America

All locations

+1.763.422.2661

Chat with us:

schroff.nvent.com

Europe

Straubenhardt, Germany

+49.7082.794.0

Betschdorf, France

+33.3.88.90.64.90

Warsaw, Poland

+48.22.209.98.35

Assago, Italy

+39.02.932.7141

Chat with us:

schroff.nvent.com

Asia

Shanghai, China

+86.21.2412.6943

Qingdao, China

+86.532.8771.6101

Singapore

+65.6768.5800

Shin-Yokohama, Japan

+81.45.476.0271

Chat with us:

schroff.nvent.com

Middle East & India

Dubai, United Arab Emirates

+971.4.378.1700

Bangalore, India

+91.80.6715.2001

Istanbul, Turkey

+90.216.250.7374

Chat with us:

schroff.nvent.com



Our powerful portfolio of brands:
nVent.com **CADDY ERICO HOFFMAN RAYCHEM SCHROFF TRACER**

© 2023 nVent. All nVent marks and logos are owned or licensed by nVent Services GmbH or its affiliates. All other trademarks are the property of their respective owners.

nVent reserves the right to change specifications without notice.