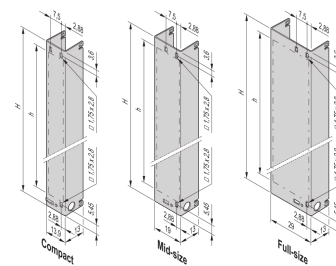
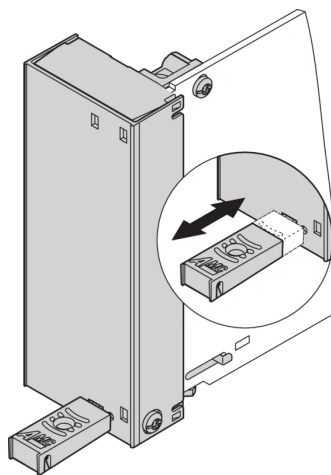
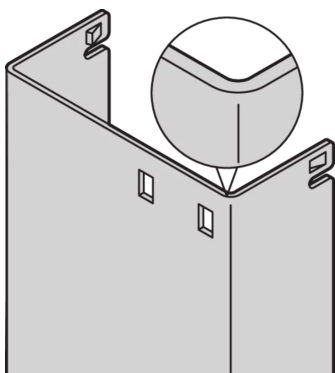
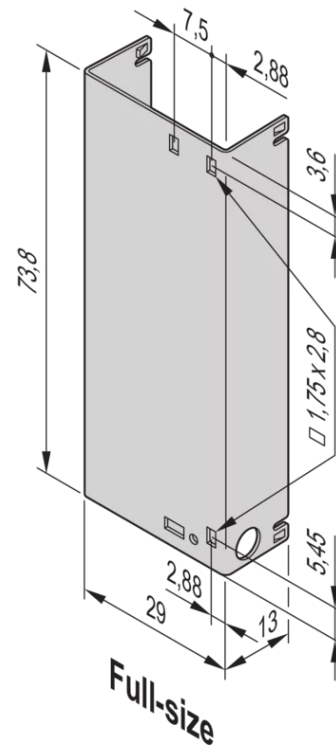
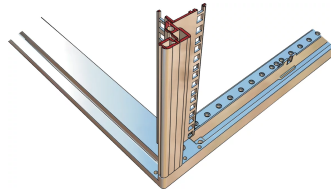
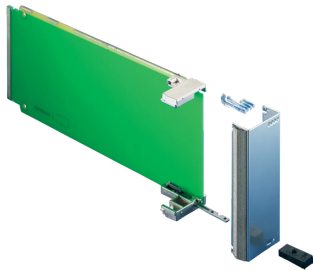


20849-129 AMC MODULE WITH PULL HANDLE, AMC.0 R2.0, SINGLE FULL-SIZE, STAINLESS STEEL



KEY FEATURES

In accordance with AMC.0 R2.0 specification

For installation in MicroTCA chassis or AdvancedMC carriers (e.g. conventional, cutaway and hybrid carriers)

PRODUCT ATTRIBUTES

Product Type: System Module

Product Family: AdvancedMC

Height: 73.8 mm

Type: Filler Module

Material: Stainless Steel

ADDITIONAL PRODUCT DETAILS

AdvancedMC Front Panel including handle mechanism and EMC gasket for AMC.0 Rev. 2.0 Modules.

CERTIFICATIONS



North America

All locations
+1.763.422.2661
Chat with us:
schroff.nvent.com

Europe

Straubenhardt, Germany
+49.7082.794.0
Betschdorf, France
+33.3.88.90.64.90
Warsaw, Poland
+48.22.209.98.35
Assago, Italy
+39.02.932.7141
Chat with us:
schroff.nvent.com

Asia

Shanghai, China
+86.21.2412.6943
Qingdao, China
+86.532.8771.6101
Singapore
+65.6768.5800
Shin-Yokohama, Japan
+81.45.476.0271
Chat with us:
schroff.nvent.com

Middle East & India

Dubai, United Arab Emirates
+971.4.378.1700
Bangalore, India
+91.80.6715.2001
Istanbul, Turkey
+90.216.250.7374
Chat with us:
schroff.nvent.com



Our powerful portfolio of brands:
nVent.com **CADDY ERICO HOFFMAN RAYCHEM SCHROFF TRACER**

© 2023 nVent. All nVent marks and logos are owned or licensed by nVent Services GmbH or its affiliates. All other trademarks are the property of their respective owners.

nVent reserves the right to change specifications without notice.