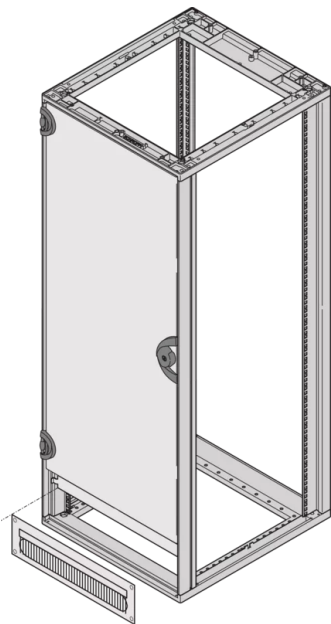
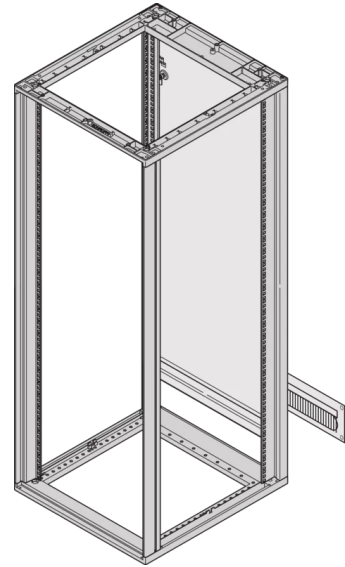
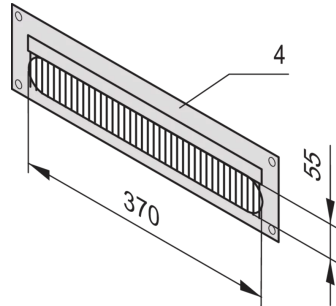
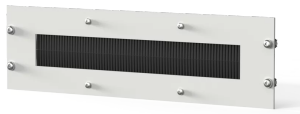


20118-391 CABLE DUCTING FOR NOVASTAR AND EURORACK, RAL 7035, SCREWED, 3 U



KEY FEATURES

To cover the opening on shortened doors or rear panels

Frame, St, 2.5 mm

With-black brush strip

PRODUCT ATTRIBUTES

Product Type: Cover

Type: Cable Duct

Rack Height: 3 U

Material: Steel

Color: Light Grey

Color Code: RAL 7035

ADDITIONAL PRODUCT DETAILS

Cover the opening on shortened doors or rear panels for a more aesthetic look.

CERTIFICATIONS



North America

All locations

+1.763.422.2661

Chat with us:

schroff.nvent.com

Europe

Straubenhardt, Germany

+49.7082.794.0

Betschdorf, France

+33.3.88.90.64.90

Warsaw, Poland

+48.22.209.98.35

Assago, Italy

+39.02.932.7141

Chat with us:

schroff.nvent.com

Asia

Shanghai, China

+86.21.2412.6943

Qingdao, China

+86.532.8771.6101

Singapore

+65.6768.5800

Shin-Yokohama, Japan

+81.45.476.0271

Chat with us:

schroff.nvent.com

Middle East & India

Dubai, United Arab Emirates

+971.4.378.1700

Bangalore, India

+91.80.6715.2001

Istanbul, Turkey

+90.216.250.7374

Chat with us:

schroff.nvent.com



Our powerful portfolio of brands:
nVent.com **CADDY ERICO HOFFMAN RAYCHEM SCHROFF TRACER**

© 2023 nVent. All nVent marks and logos are owned or licensed by nVent Services GmbH or its affiliates. All other trademarks are the property of their respective owners.

nVent reserves the right to change specifications without notice.