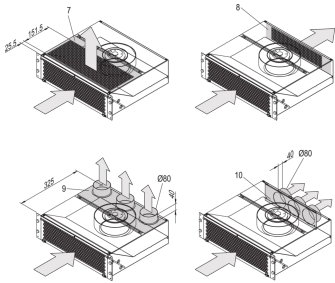
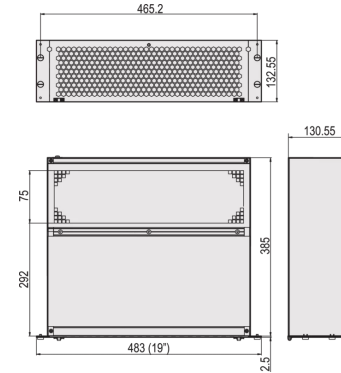
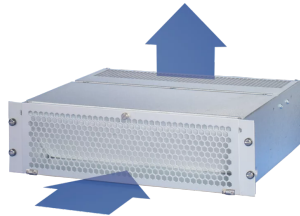


10713-547 19" PUSHER FAN, 3 U, AXIAL, 115 VAC



KEY FEATURES

Ventilation directed accurately to the electronics

19" Pusher Fan, 3 U, Axial

Air infeed from front, air exits at the top rear of cabinet (guided upwards by cover plates or via hoses to rear and upwards)

Contact protection in accordance with DIN EN ISO 13857

PRODUCT ATTRIBUTES

Product Type: Fan Unit

Input Voltage AC: 115 V min

ADDITIONAL PRODUCT DETAILS

Fan tray with integrated pusher fan.

With cover plates, this pusher fan can be re-fitted to different cooling concepts

CERTIFICATIONS

EAC

CE

ROHS
COMPLIANT

North America

All locations

+1.763.422.2661

Chat with us:

schroff.nvent.com

Europe

Straubenhardt, Germany

+49.7082.794.0

Betschdorf, France

+33.3.88.90.64.90

Warsaw, Poland

+48.22.209.98.35

Assago, Italy

+39.02.932.7141

Chat with us:

schroff.nvent.com

Asia

Shanghai, China

+86.21.2412.6943

Qingdao, China

+86.532.8771.6101

Singapore

+65.6768.5800

Shin-Yokohama, Japan

+81.45.476.0271

Chat with us:

schroff.nvent.com

Middle East & India

Dubai, United Arab Emirates

+971.4.378.1700

Bangalore, India

+91.80.6715.2001

Istanbul, Turkey

+90.216.250.7374

Chat with us:

schroff.nvent.com



Our powerful portfolio of brands:
nVent.com **CADDY ERICO HOFFMAN RAYCHEM SCHROFF TRACER**

© 2023 nVent. All nVent marks and logos are owned or licensed by nVent Services GmbH or its affiliates. All other trademarks are the property of their respective owners.

nVent reserves the right to change specifications without notice.