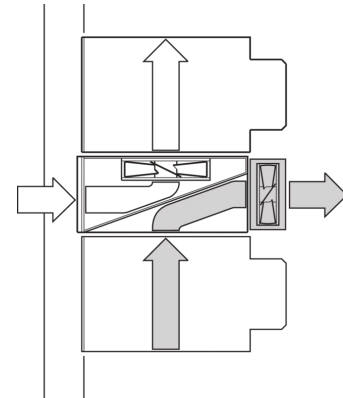
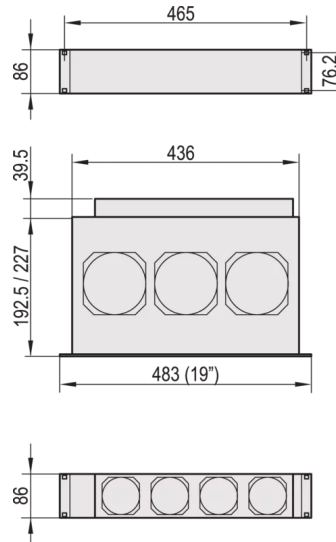




SCHROFF

10713-530 FAN UNIT WITH HOUSING FOR 19" PUSHER FAN, 2 U, AXIAL, 230 VAC



KEY FEATURES

Extra 2-U useable space: by using a built-on fan, components mounted below the 19"-pusher fan can be cooled

No additional voltage supply necessary: connection is via 19"-pusher fan, 2-U

PRODUCT ATTRIBUTES

Product Type: Fan Unit

Type: Fan Tray

Color: Silver

Input Voltage AC: 230 V

ADDITIONAL PRODUCT DETAILS

Supplementary fan (built-on) with housing for Schroff pusher fan 2 U. No additional voltage supply necessary: connection is via 19" pusher fan.

CERTIFICATIONS

EAC



CE

North America

All locations

+1.763.422.2661

Chat with us:

schroff.nvent.com

Europe

Straubenhardt, Germany

+49.7082.794.0

Betschdorf, France

+33.3.88.90.64.90

Warsaw, Poland

+48.22.209.98.35

Assago, Italy

+39.02.932.7141

Chat with us:

schroff.nvent.com

Asia

Shanghai, China

+86.21.2412.6943

Qingdao, China

+86.532.8771.6101

Singapore

+65.6768.5800

Shin-Yokohama, Japan

+81.45.476.0271

Chat with us:

schroff.nvent.com

Middle East & India

Dubai, United Arab Emirates

+971.4.378.1700

Bangalore, India

+91.80.6715.2001

Istanbul, Turkey

+90.216.250.7374

Chat with us:

schroff.nvent.com



Our powerful portfolio of brands:
nVent.com **CADDY** **ERICO** **HOFFMAN** **RAYCHEM** **SCHROFF** **TRACER**

© 2023 nVent. All nVent marks and logos are owned or licensed by nVent Services GmbH or its affiliates. All other trademarks are the property of their respective owners.

nVent reserves the right to change specifications without notice.