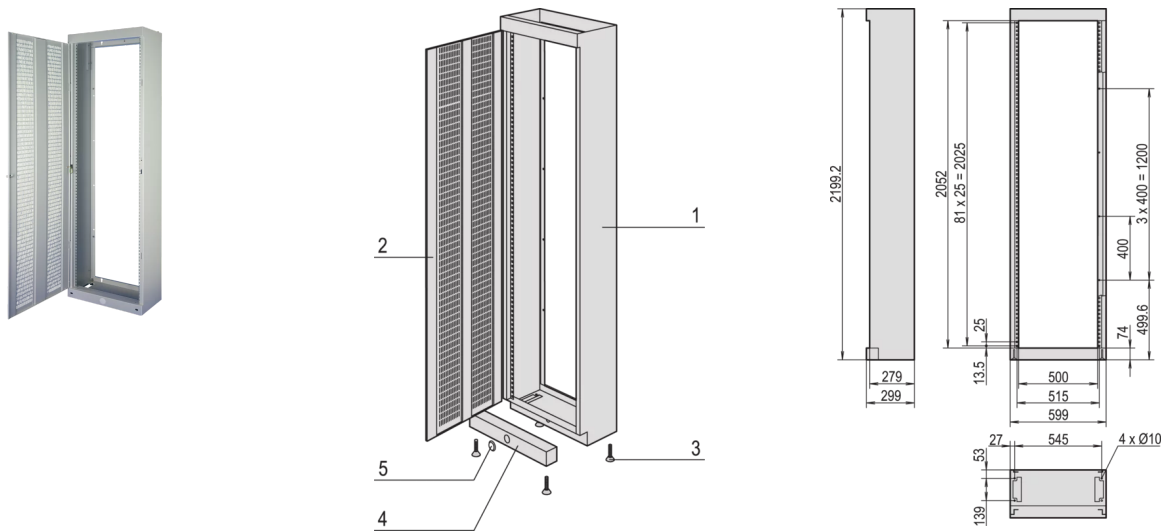


10125-010 ETSIRACK CABINET FRAME, 1 PIECE



KEY FEATURES

Welded frame with metric grid holes in accordance with ETS 300119-3

Mounting height 81 SU

Static load-carrying capacity 200 kg

Back-to-back row layout is possible

In accordance with standards IEC 48 D and ETS 300 119

Top mounted cabling frame

PRODUCT ATTRIBUTES

Product Type: Cabinet/Rack Frame

Product Family: Etsirack

Type: Standard

Frame Material: Steel

Color: Light Grey

Color Code: RAL 7035

Height: 2200 mm

Width: 600 mm

Depth: 300 mm

Static Load: 200 kg

ADDITIONAL PRODUCT DETAILS

Welded frame with metric grid holes in accordance with ETS 300119-3, with load capacity of 200 kg.

CERTIFICATIONS



North America

All locations

+1.763.422.2661

Chat with us:

schroff.nvent.com

Europe

Straubenhardt, Germany

+49.7082.794.0

Betschdorf, France

+33.3.88.90.64.90

Warsaw, Poland

+48.22.209.98.35

Assago, Italy

+39.02.932.7141

Chat with us:

schroff.nvent.com

Asia

Shanghai, China

+86.21.2412.6943

Qingdao, China

+86.532.8771.6101

Singapore

+65.6768.5800

Shin-Yokohama, Japan

+81.45.476.0271

Chat with us:

schroff.nvent.com

Middle East & India

Dubai, United Arab Emirates

+971.4.378.1700

Bangalore, India

+91.80.6715.2001

Istanbul, Turkey

+90.216.250.7374

Chat with us:

schroff.nvent.com



Our powerful portfolio of brands:
nVent.com **CADDY ERICO HOFFMAN RAYCHEM SCHROFF TRACER**

© 2023 nVent. All nVent marks and logos are owned or licensed by nVent Services GmbH or its affiliates. All other trademarks are the property of their respective owners.

nVent reserves the right to change specifications without notice.