

## Data sheet

Surface mount frame 85 x 85 x 43 mm - single, pure white

Page 1/5

P/N

130829-4302-I

EAN 4250184136767

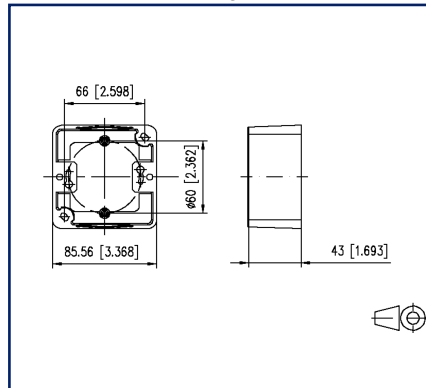
2023/03/30

Version: K

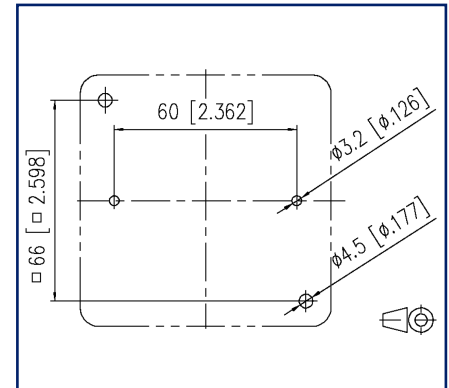
### Illustrations



Dimensional drawing



Drill pattern



See enlarged drawings at the end of document

### Product specification

- extension of flush-mounted wall outlets to surface-mounted wall outlets
- dimensions (LxWxH) 85 x 85 x 43 mm
- additional fastening in 60 mm hole distance on flush-mounted cups
- glossy surface
- traffic white (RAL 9016), pure white (RAL 9010) or pearl white (RAL 1013)
- variants: traffic white, pure white, pearl white



# P | Cabling

Data sheet

Page 2/5

## Surface mount frame 85 x 85 x 43 mm - single, pure white

P/N

130829-4302-I

EAN 4250184136767

2023/03/30

Version: K

### Technical Data

#### General Data

Mechanical measurement according to MICE	M1
Ingress measurement according to MICE	I1
Climatic measurement according to MICE	C1
Electromagnetic measurement according to MICE	E1
Design	frame
Mounting style	Flush-mounted to wall mounted
Color	Pure white RAL 9010
Dimensions	
Dimension (L x W x H)	43 mm x 85.6 mm x 85.6 mm
Dimension (L x W x H)	1.693 in. x 3.37 in. x 3.37 in.

#### Materials and material properties

Material	ABS
Halogen free	yes
RoHS	compliant

#### Classifications

ETIM 5.0	EC001264
ETIM 6.0	EC001264
ETIM 7.0	EC000080
ETIM 8.0	EC000080
ETIM 9.0	EC000080

#### Packing details

Type of packaging	10 pc(s) / box
Packaging unit - Weight (gram)	735 g
Packaging unit - Weight (pound)	1.62 lb
Packaging dimension	283 mm x 180 mm x 85 mm
Packaging dimension	11.142 in. x 7.087 in. x 3.346 in.

# P | Cabling

Data sheet

Page 3/5

## Surface mount frame 85 x 85 x 43 mm - single, pure white

P/N

130829-4302-I

EAN 4250184136767

2023/03/30

Version: K

### Accessories from

P/N	Designation
1307371002-I	E-DAT C6 1 port UP pure white
1307371102-I	E-DAT C6 1 port UPk pure white
1307371200-I	E-DAT C6 1 port UP0
1307381002-I	E-DAT C6 2 port UP pure white
1307381102-I	E-DAT C6 2 port UPk pure white
1307381200-I	E-DAT C6 2 port UP0
1307441002-I	E-DAT design 2 port UP Cat.6, pure white
1307441102-I	E-DAT design 2 port UPk Cat.6, pure white
1307441200-I	E-DAT design 2 port UP0 Cat.6
1309111002-E	E-DAT modul 1 port UP Cat.6 <sub>A</sub> , pure white
1309111102-E	E-DAT modul 1 port UPk Cat.6 <sub>A</sub> , pure white
1309111200-E	E-DAT modul 1 port UP0 Cat.6 <sub>A</sub>
1309121002-E	E-DAT modul 2 port UP Cat.6 <sub>A</sub> , pure white
1309121102-E	E-DAT modul 2 port UPk Cat.6 <sub>A</sub> , pure white
1309121200-E	E-DAT modul 2 port UP0 Cat.6 <sub>A</sub>
1309131002-E	E-DAT modul 3 port UP Cat.6 <sub>A</sub> , pure white
1309131102-E	E-DAT modul 3 port UPk Cat.6 <sub>A</sub> , pure white
1309131200-E	E-DAT modul 3 port UP0 Cat.6 <sub>A</sub>
1309141002-E	Modul wall outlet UP 1 port pure white unequipped
1309141102-E	Modul wall outlet UPk 1 port pure white unequipped
1309141200-E	Modul wall outlet UP0 3 port unequipped
1309151002-E	Modul wall outlet UP 2 port pure white unequipped
1309151102-E	Modul wall outlet UPk 2 port pure white unequipped
1309151200-E	Modul wall outlet UP0 2 port unequipped
1309161002-E	Modul wall outlet UP 3 port pure white unequipped
1309161102-E	Modul wall outlet UPk 3 port pure white unequipped
130B11D11002-E	C6 <sub>A</sub> modul 1 port 180°M UP pure white
130B11D11102-E	C6 <sub>A</sub> modul 1 port 180°M UPk pure white
130B11D11200-E	C6 <sub>A</sub> modul 1 port 180°M UP0
130B11D21002-E	C6 <sub>A</sub> modul 2 port 180°M UP pure white
130B11D21102-E	C6 <sub>A</sub> modul 2 port 180°M UPk pure white
130B11D21200-E	C6 <sub>A</sub> modul 2 port 180°M UP0

# P | Cabling

Data sheet

Page 4/5

## Surface mount frame 85 x 85 x 43 mm - single, pure white

P/N

130829-4302-I

EAN 4250184136767

2023/03/30

Version: K

### Accessories from

130B11D31002-E	C6 <sub>A</sub> modul 3 port 180°M UP pure white
130B11D31102-E	C6 <sub>A</sub> modul 3 port 180°M UPk pure white
130B11D31200-E	C6 <sub>A</sub> modul 3 port 180°M UP0
130B12D11002-E	C6 <sub>A</sub> modul 1 port 270°M UP pure white
130B12D11102-E	C6 <sub>A</sub> modul 1 port 270°M UPk pure white
130B12D11200-E	C6 <sub>A</sub> modul 1 port 270°M UP0
130B12D21002-E	C6 <sub>A</sub> modul 2 port 270°M UP pure white
130B12D21102-E	C6 <sub>A</sub> modul 2 port 270°M UPk pure white
130B12D21200-E	C6 <sub>A</sub> modul 2 port 270°M UP0
130B12D31002-E	C6 <sub>A</sub> modul 3 port 270°M UP pure white
130B12D31102-E	C6 <sub>A</sub> modul 3 port 270°M UPk pure white
130B12D31200-E	C6 <sub>A</sub> modul 3 port 270°M UP0
130B20D11002KE	Keystone wall outlet UP 1 port pure white unequipped
130B20D11102KE	Keystone wall outlet UPk 1 port pure white unequipped
130B20D11200KE	Keystone wall outlet UP0 1 port unequipped
130B20D21002KE	Keystone wall outlet UP 2 port pure white unequipped
130B20D21102KE	Keystone wall outlet UPk 2 port pure white unequipped
130B20D21200KE	Keystone wall outlet UP0 2 port unequipped
130B20D31002KE	Keystone wall outlet UP 3 port pure white unequipped
130B20D31102KE	Keystone wall outlet UPk 3 port pure white unequipped
130B20D31200KE	Keystone wall outlet UP0 3 port unequipped
130C371002-I	E-DAT C6 <sub>A</sub> 1 port UP pure white
130C371102-I	E-DAT C6 <sub>A</sub> 1 port UPk pure white
130C371200-I	E-DAT C6 <sub>A</sub> 1 port UP0
130C381002-I	E-DAT C6 <sub>A</sub> 2 port UP pure white
130C381102-I	E-DAT C6 <sub>A</sub> 2 Port UPk pure white
130C381200-I	E-DAT C6 <sub>A</sub> 2 port UP0

# P | Cabling

Data sheet

Page 5/5

Surface mount frame 85 x 85 x 43 mm - single, pure white

P/N

130829-4302-I

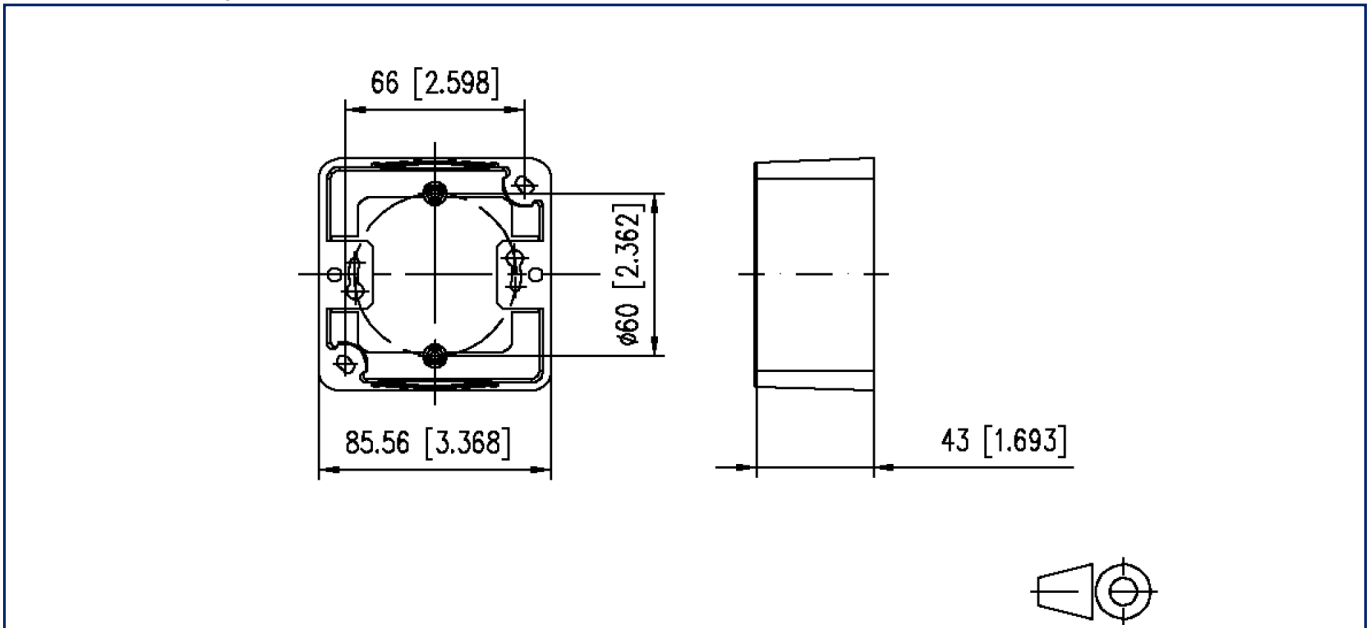
EAN 4250184136767

2023/03/30

Version: K

## Illustrations

Dimensional drawing



Drill pattern

