

Data sheet

Keystone wall outlet surface mounted 2 port unequipped pure white

Page 1/5

P/N

1309150002KE

EAN 4250184142805

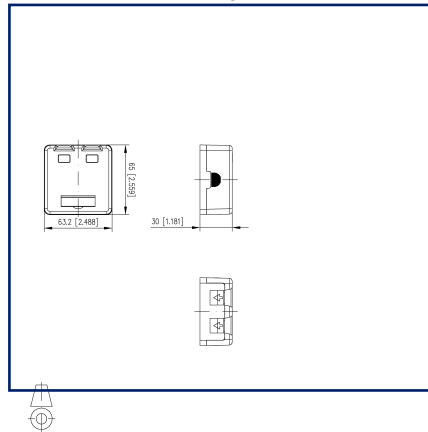
2023/05/30

Version: X

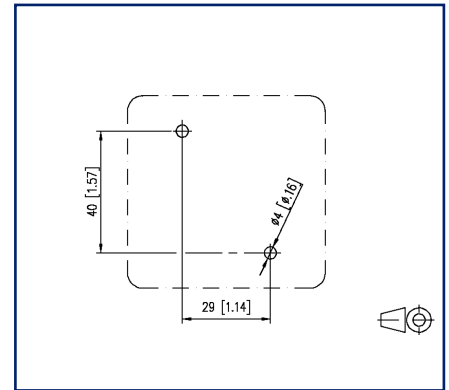
Illustrations



Dimensional drawing



Drill pattern



See enlarged drawings at the end of document

Product specification

- very compact surface-mounted termination unit for individual Keystone modules
- module plug direction 90° downwards
- strain relief with cable tie at the module
- label window for identification labels (labels included in the delivery)
- integrated dust protection shutter
- cover parts in color similar to pure white RAL 9010, glossy surface
- not suitable for 180° couplers (anti-bend sleeves for patch cables usually too long)
- variants: 1 port, 2 ports

P | Cabling

Data sheet

Page 2/5

Keystone wall outlet surface mounted 2 port unequipped pure white

P/N

1309150002KE

EAN 4250184142805

2023/05/30

Version: X

Technical Data

General Data

Fields of application	office areas
Mechanical measurement according to MICE	M1
Ingress measurement according to MICE	I1
Climatic measurement according to MICE	C1
Electromagnetic measurement according to MICE	E3
Design	wall outlet
Mounting style	AP
Color	white
Dimensions	
Dimension (L x W x H)	30 mm x 63.2 mm x 65 mm
Dimension (L x W x H)	1.181 in. x 2.488 in. x 2.559 in.
Labeling option	label window with identification label

Connections/interfaces

Number of ports interface 2	2
Number of ports interface 2 equipped	0
Number of ports with dust protection interface 2	2
Module plug-in direction	90° downwards

Mechanical data

Cut-out	Keystone
strain relief	cable tie

Materials and material properties

Material - Supporting frame	ABS
Material - Cover part(s)	ABS
Material - Module support	ABS
Material - Label window	PC (polycarbonate)
Material - Dust protection	ABS + PC
Halogen free	yes
RoHS	compliant

P | Cabling

Data sheet

Page 3/5

Keystone wall outlet surface mounted 2 port unequipped pure white

P/N

1309150002KE

EAN 4250184142805

2023/05/30

Version: X

Technical Data

Classifications

ETIM 5.0	EC001264
ETIM 6.0	EC001264
ETIM 7.0	EC001264
ETIM 8.0	EC001264
ETIM 9.0	EC001264

Packing details

Type of packaging	1 pc(s) / plastic bag
Packaging unit - Weight (gram)	47 g
Packaging unit - Weight (pound)	0.1 lb
Packaging dimension	160 mm x 100 mm x 380 mm
Packaging dimension	6.299 in. x 3.937 in. x 14.961 in.



P | Cabling

Data sheet

Page 4/5

Keystone wall outlet surface mounted 2 port unequipped pure white

P/N

1309150002KE

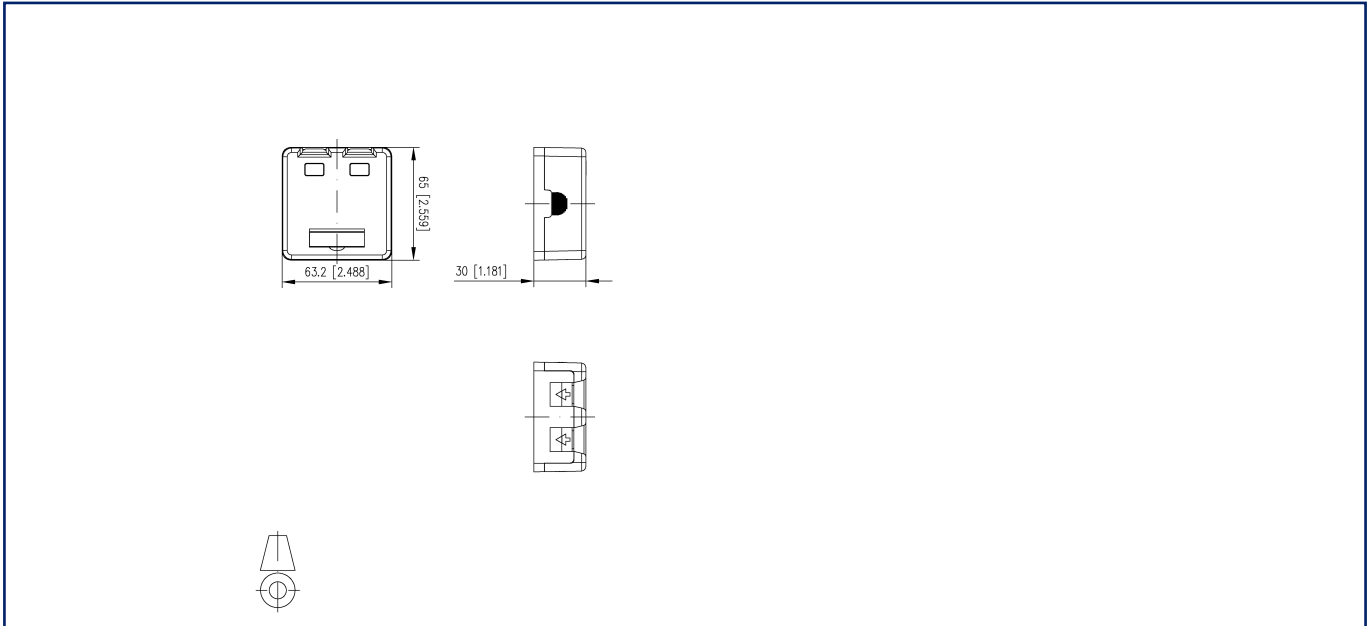
EAN 4250184142805

2023/05/30

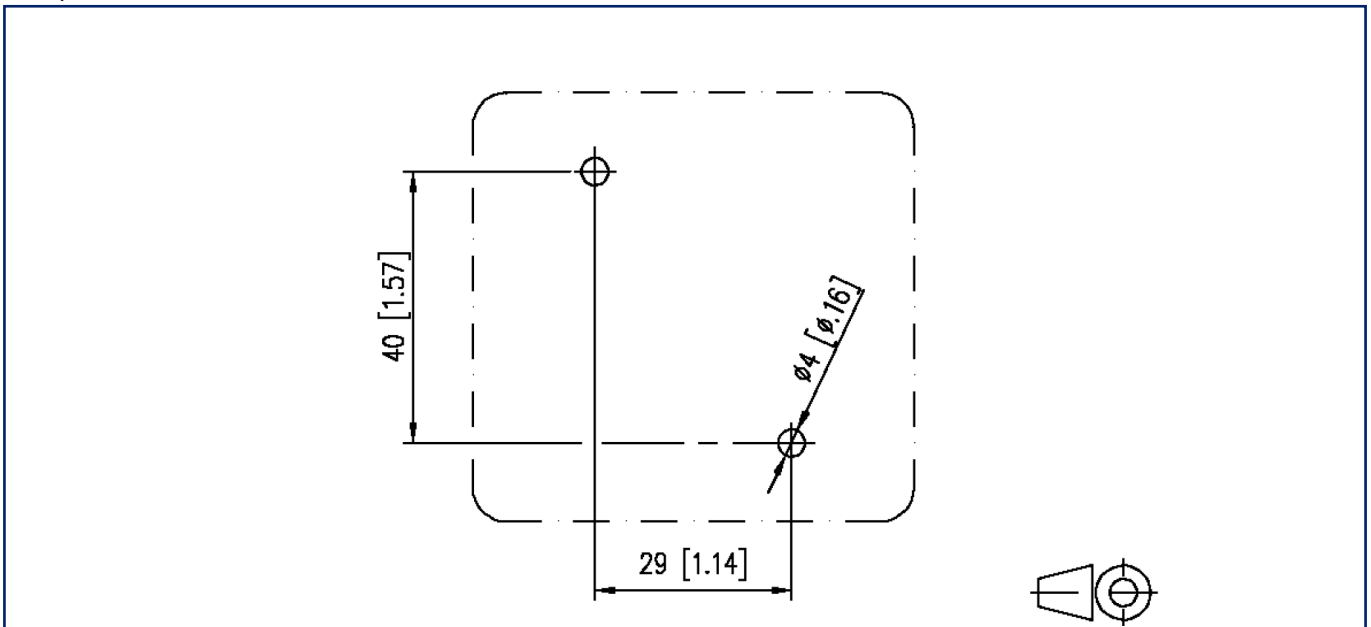
Version: X

Illustrations

Dimensional drawing



Drill pattern



P | Cabling

Data sheet

Page 5/5

Keystone wall outlet surface mounted 2 port unequipped pure white

P/N

1309150002KE

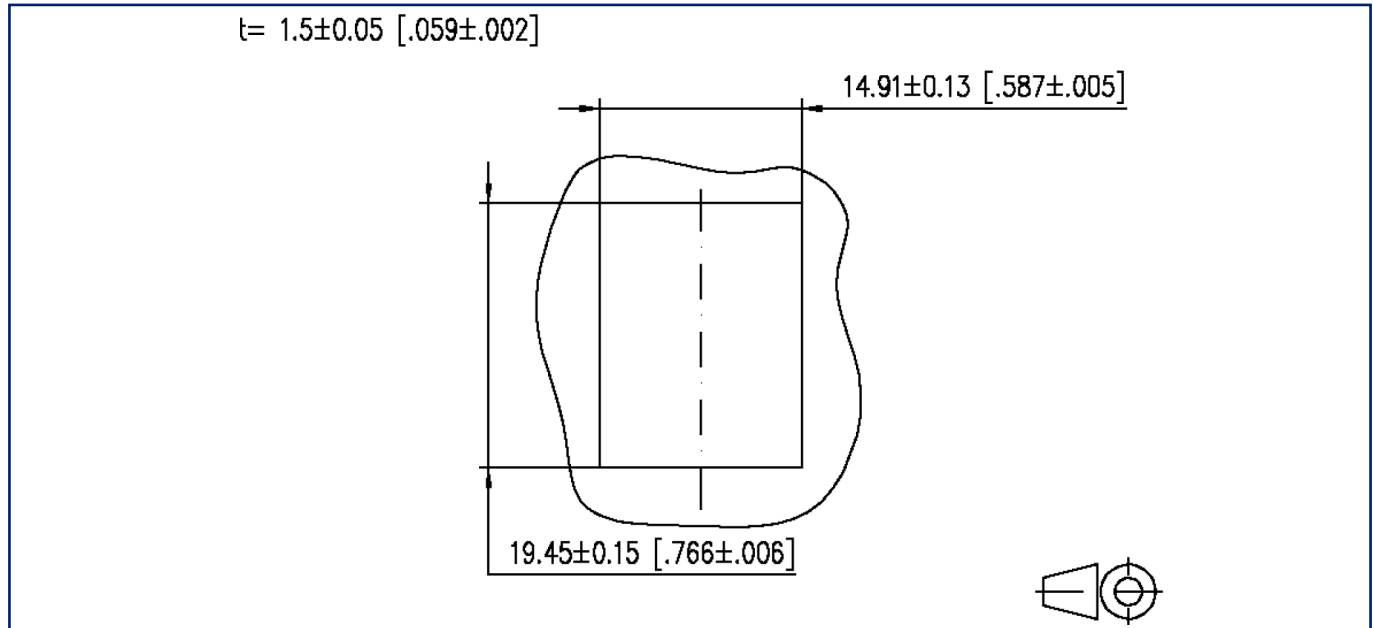
EAN 4250184142805

2023/05/30

Version: X

Illustrations

Cut-out



© 2023 METZ CONNECT - Technische Änderungen vorbehalten! Subject to modifications! Sous réserve de modifications techniques!

