

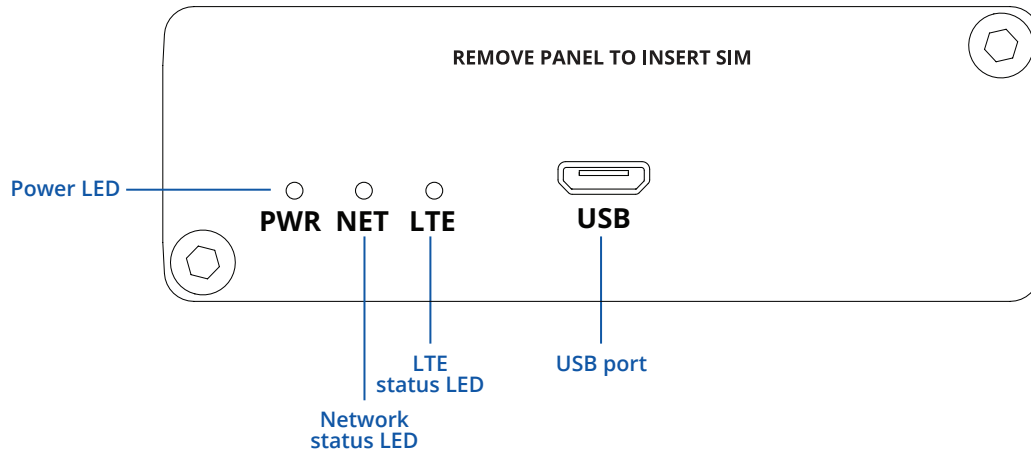


TRM240

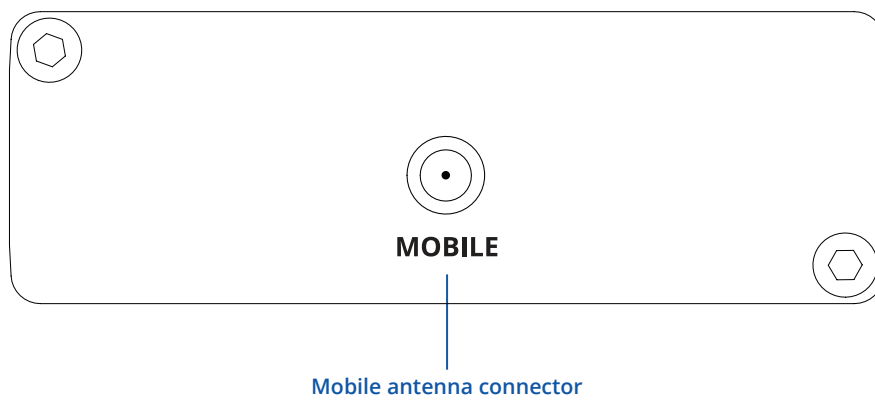


HARDWARE

FRONT VIEW



BACK VIEW



FEATURES

MOBILE

Mobile module	4G (LTE) – Cat 1 up to 10 Mbps, 3G – Up to 42 Mbps, 2G – Up to 236.8 kbps
---------------	---------------------------------------------------------------------------

POWER

Connector	microUSB
Input voltage range	5V - powered via microUSB
Power consumption	3.2 W Max

PHYSICAL INTERFACES

Status LEDs	1 x Power LED, 1 x Network LED, 1 x LTE LED
SIM	1 x SIM slot (Mini SIM – 2FF), 1.8 V/3 V
Power	1x microUSB
Antennas	1 x SMA for LTE
Dimensions (W x H x D)	74.5 x 25 x 64.5 mm

PHYSICAL SPECIFICATION

Casing material	Aluminum housing
Weight	131 g
Mounting options	DIN rail, Flat surface

OPERATING ENVIRONMENT

Operating temperature	-40 °C to 75 °C
Operating humidity	10% to 90% non-condensing
Ingress Protection Rating	IP30

TRM SOFTWARE

Management Software	Windows Connection Manager (NDIS driver)
USB Driver	Windows 7/8/8.1/10, Windows CE 5.0/6.0, Linux 2.6/3.x/4.1~4.14, Android 4.x/5.x/6.x/7.x/8.x
RIL Driver	Android 4.x/5.x/6.x/7.x/8.x
NDIS Driver	Windows 7/8/8.1/10
Gobinet Driver	Linux 2.6/3.x/4.1~4.14
Linux Driver	3.x (3.4 and later)/4.1~4.14

WHAT'S IN THE BOX?

STANDARD PACKAGE CONTAINS

- TRM240
- 1x LTE antenna (swivel, SMA male)
- Micro-USB cable (0.8 m)
- 1x hex key
- QSG (Quick Start Guide)
- Packaging box



TRM240



1 X LTE ANTENNA (SWIVEL, SMA MALE)



MICRO-USB CABLE (0.8 M)



1 X HEX KEY



QSG

STANDARD ORDER CODES

PRODUCT CODE	HS CODE	HTS CODE	PACKAGE CONTAINS
TRM240 000000	851762	8517.62.00	Standard Package
TRM240 100000	851762	8517.62.00	Standard Package

For more information on all available packaging options – please contact us directly.

AVAILABLE VERSIONS

PRODUCT CODE	REGION (OPERATOR)	FREQUENCY
TRM240 0*****	EMEA ¹ , Korea, Thailand	<ul style="list-style-type: none"> • 4G (LTE-FDD): B1, B3, B7, B8, B20, B28A • 3G: B1, B8 • 2G: B3, B8
TRM240 1*****	Latin America, Australia, New Zealand, Taiwan	<ul style="list-style-type: none"> • 4G (LTE-FDD): B1, B2, B3, B4, B5, B7, B8, B28 • 4G (LTE-TDD): B40 • 3G: B1, B2, B5, B8 • 2G: B2, B3, B5, B8

The price and lead-times for region (operator) specific versions may vary. For more information please contact us.

* - Versions for other regions are under development.

1 - Regional availability - excluding Russia & Belarus.

TRM240 SPATIAL MEASUREMENTS & WEIGHT

MAIN MEASUREMENTS

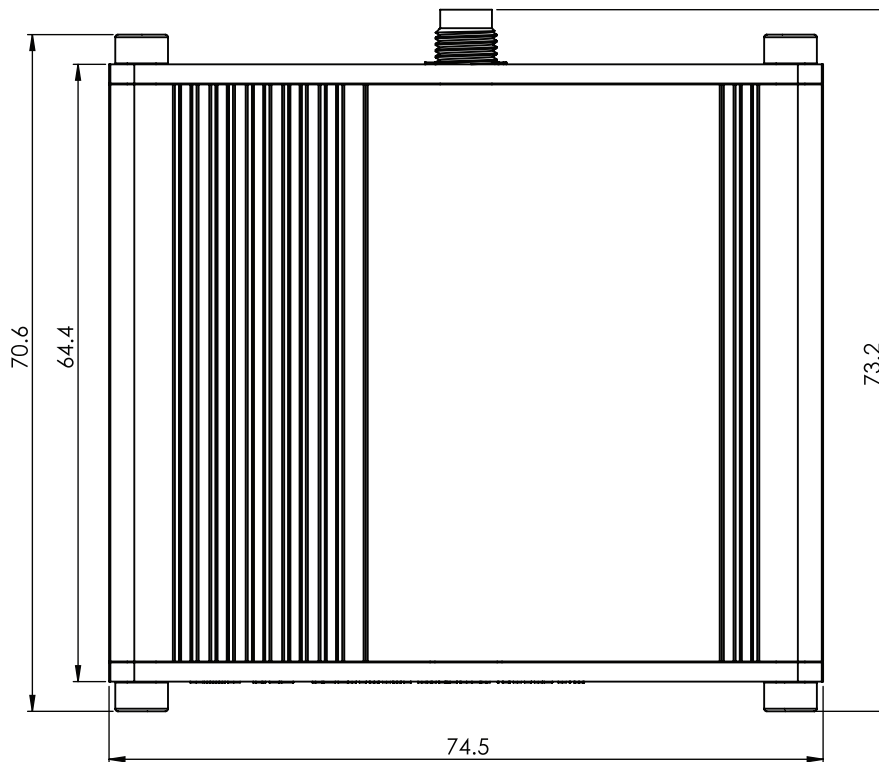
W x H x D dimensions for TRM240:

Device housing*:	74.5 x 25 x 64.5 mm
Box:	173 x 71 x 148 mm

*Housing measurements are presented without antenna connectors and screws; for measurements of other device elements look to the sections below.

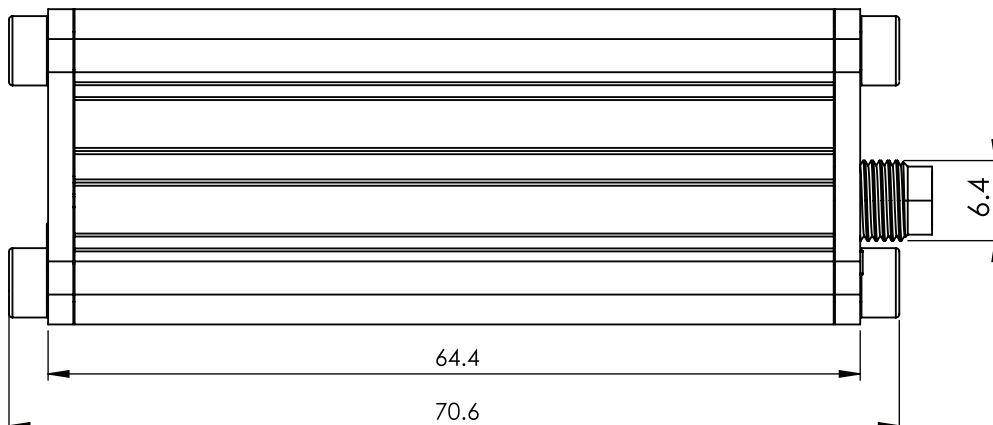
TOP VIEW

The figure below depicts the measurements of TRM240 and its components as seen from the top:



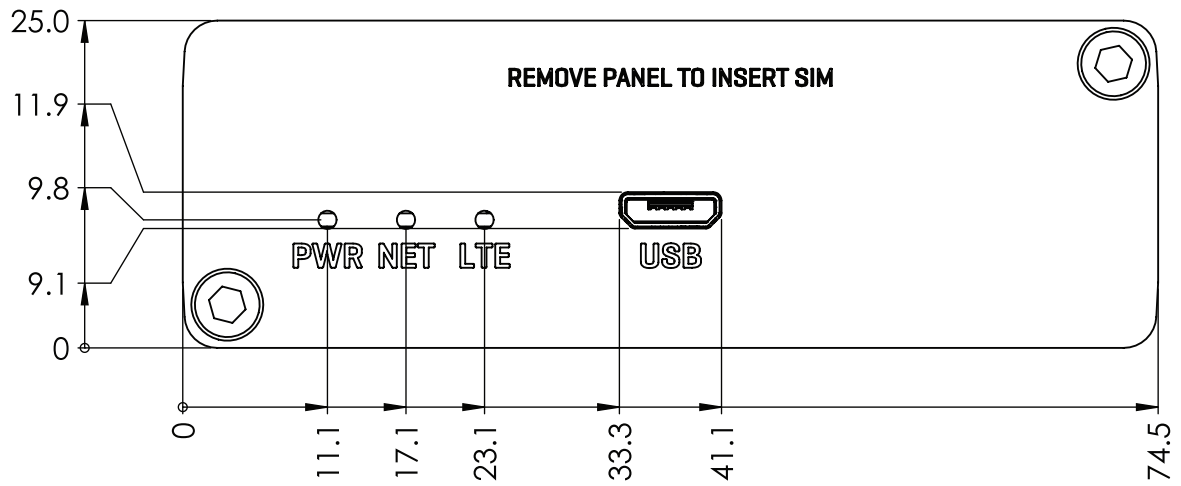
RIGHT VIEW

The figure below depicts the measurements of TRM240 and its components as seen from the right side:



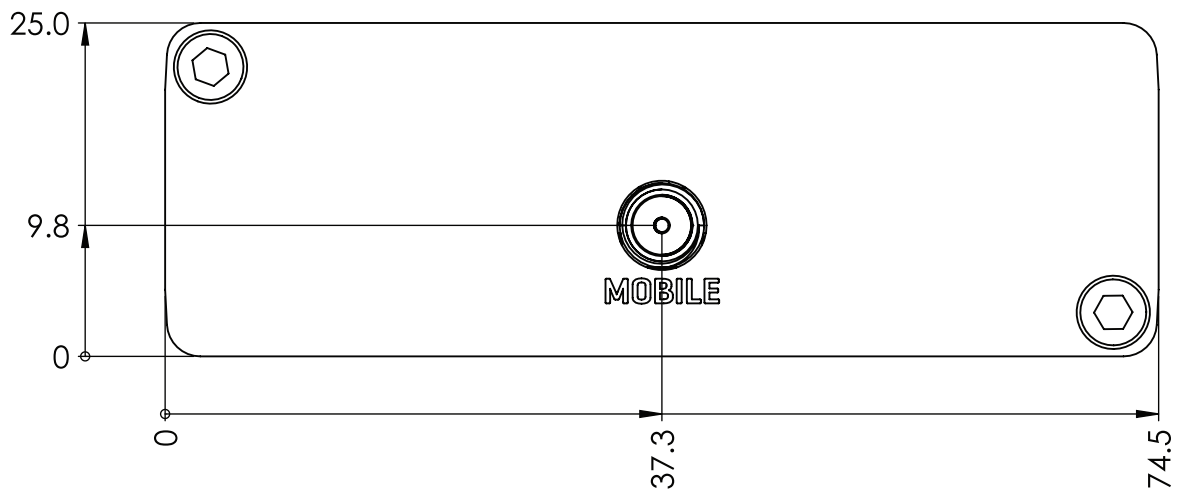
FRONT VIEW

The figure below depicts the measurements of TRM240 and its components as seen from the front panel side:



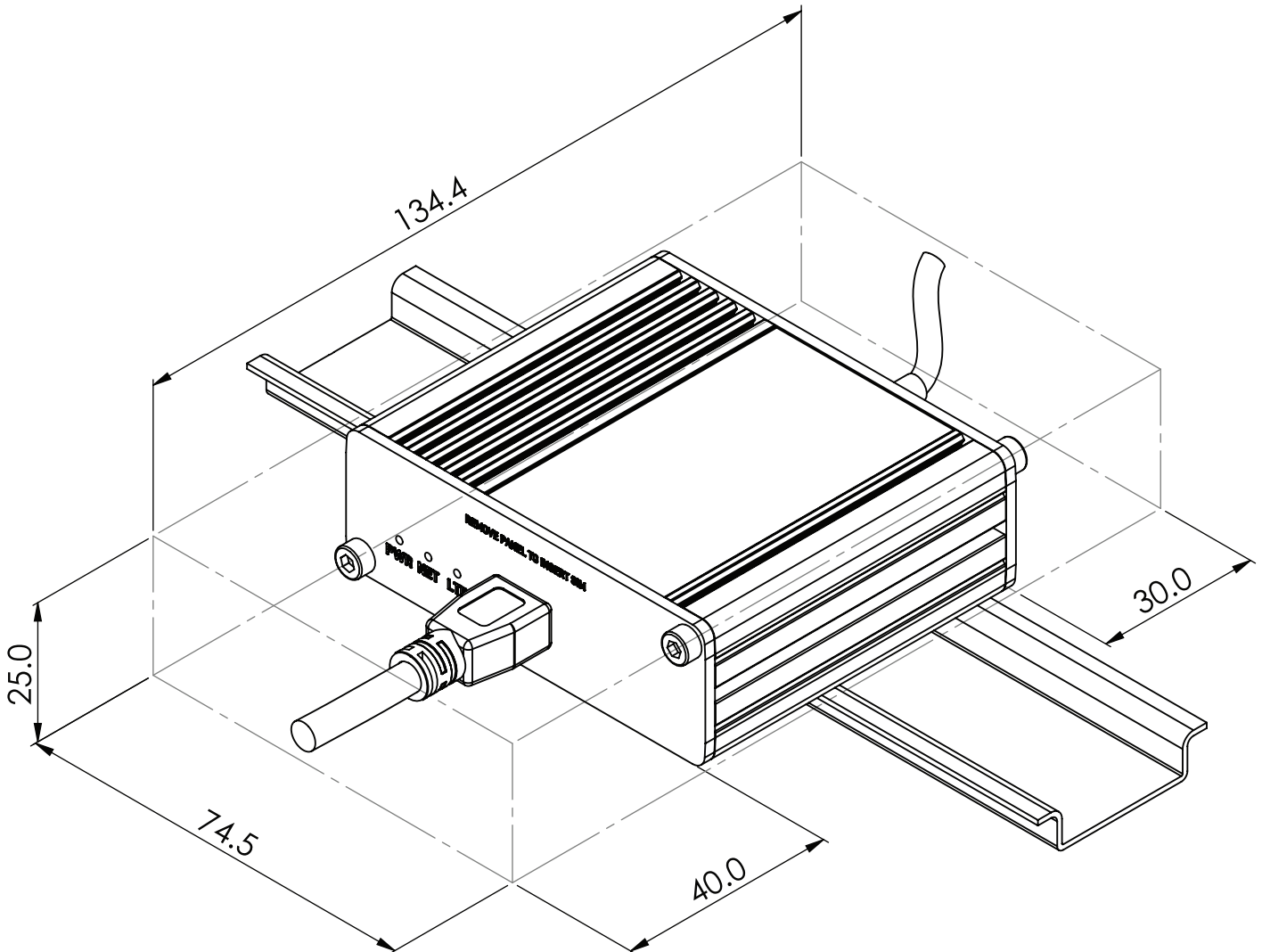
REAR VIEW

The figure below depicts the measurements of TRM240 and its components as seen from the back panel side:



MOUNTING SPACE REQUIREMENTS

The figure below depicts an approximation of the device's dimensions when cables and antennas are attached:



DIN RAIL

The scheme below depicts protrusion measurements of an attached DIN Rail:

