

New U-series compact network camera with enhanced functions and affordability

2MP (1080p) Varifocal Lens Indoor Box Network Camera

The new U series is an entry model that achieves high quality and reliability at an affordable price to meet the needs of a wide range of customers. The compact and slim design allows it to be installed in a various locations.

It newly supports ONVIF G / S / T profile and H.265 / H.264, and can be widely used for connecting various VMS and recorders. It also comes pre-installed with secure certificates, enabling device authentication and end-to-end communication encryption to counter the threat of advanced cyberattacks.

Key features

- Compact and slim design allows installation in various locations
- Compliant with ONVIF G / S / T profile and H.265 / H.264, and can support a wide range of connections to VMS and recorders
- Uses "Easy Kitting Packing" that allows you to set the camera without removing it from the box
- Strengthen cyber security by pre-installing digital certificates issued by a third party organization (GlobalSign)

Key i-PRO Spec.

- 2MP (1080p) up to 30fps
- 2.5x built-in motorized zoom and motorized focus lens
- iA (intelligent Auto)
- Super Dynamic 120dB
- Color night vision (0.006 to 0.1 lx)
- H.265 Smart Coding
- Corridor mode
(90 degrees or 270 degrees in image rotation)
- ONVIF® Profile G / S / T
*ONVIF is a trademark of ONVIF, Inc.
- Genetec Stratocast compatible

Industry examples

- Retail
- Education
- Public safety
- Bank / Hospital / Building



Specifications

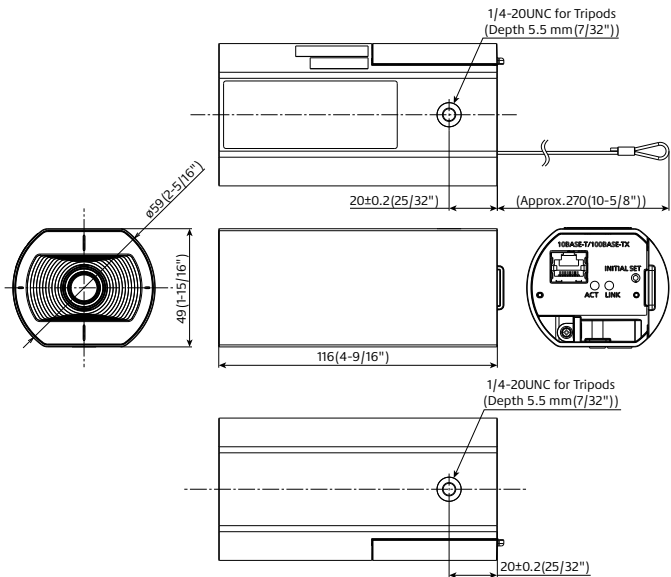
Camera	Image Sensor	Approx. 1/3 type CMOS image sensor																			
	Minimum Illumination	Color : 0.1 lx, BW: 0.04 lx (50IRE, F2.0, Maximum shutter: Off (1/30s), AGC: 11) Color : 0.006 lx, BW: 0.0025 lx (50IRE, F2.0, Maximum shutter: max. 16/30s, AGC: 11) *1																			
	White Balance	ATW1/ ATW2/ AWC																			
	Maximum shutter	[30fps mode] Max. 1/10000 s to Max. 16/30 s [25fps mode] Max. 1/10000 s to Max. 16/25 s																			
	Intelligent Auto	On / Off																			
	Super Dynamic	On / Off, The level can be set in the range of 0 to 31.																			
	Dynamic Range	Max.120 dB (Super Dynamic: On, Level: 31)																			
	Adaptive Black Stretch	—																			
	Back light compensation / High light compensation	BLC (Back light compensation) / HLC (High light compensation) / Off (only when Super dynamic / Intelligent Auto: Off)																			
	Fog compensation	On / Off (only when Intelligent auto / auto contrast adjust: Off)																			
	Maximum gain (AGC)	The level can be set in the range of 0 to 11.																			
	Color/BW (ICR)	Off / On / Auto1 (Normal) / Auto2 (IR Light) / Auto3 (SCC)																			
	Digital Noise Reduction	The level can be set in the range of 0 to 255.																			
	Video Motion Detection (VMD)	On / Off, 4 areas available																			
	Lens	Scene Change Detection(SCD)	On / Off, 1 areas available																		
Privacy Zone		On / Off, Up to 8 zones available																			
Image rotation*2		0° (Off) / 90° / 180° (Upside-down) / 270°																			
Camera Title (OSD)		On / Off, Up to 20 characters (alphanumeric characters, marks)																			
Focal length		2.9 mm - 7.3 mm(1/8inches-9/32inches)																			
Optical zoom		2.5x (Motorized zoom / Motorized focus)																			
Extra optical zoom		2.5x - 3.8x (when resolution is 1280x720)																			
Digital (electronic) zoom		Choose from 3 levels of x1, x2, x4																			
Angular Field of View		[16 : 9 mode] Horizontal : 44° (TELE) - 102° (WIDE), Vertical : 24° (TELE) - 56° (WIDE) [4 : 3 mode] Horizontal : 36° (TELE) - 84° (WIDE), Vertical : 27° (TELE) - 63° (WIDE)																			
Maximum Aperture Ratio		1 : 2.0 (WIDE) - 1 : 3.0 (TELE)																			
Focus range	1 m {39-3/8 inches} - ∞																				
DORI	Detect (25ppm / 8ppf)	Wide: 35.5 m / 116.6 ft, Tele: 98.5 m / 323.1 ft																			
	Observe (62.5ppm / 19ppf)	Wide: 14.2 m / 46.6 ft, Tele: 39.4 m / 129.2 ft																			
	Recognize (125ppm / 38ppf)	Wide: 7.1 m / 23.3 ft, Tele: 19.7 m / 64.6 ft																			
	Identify (250ppm / 76ppf)	Wide: 3.6 m / 11.7 ft, Tele: 9.8 m / 32.3 ft																			
Browser GUI	Camera Control	Brightness																			
	GUI / Setup Menu Language	English, Italian, French, German, Spanish, Portuguese, Russian, Chinese, Japanese																			
Network	Network IF	10Base-T / 100Base-TX, RJ45 connector																			
	Resolution H.265/H.264	[16 : 9 mode] 1920×1080, 1280×720, 640×360, 320×180 [4 : 3 mode] 1600×1200, 1280×960, VGA, QVGA																			
	H.265/ Transmission Mode	Constant bit rate / VBR / Frame rate / Best effort																			
	H.264/ Transmission Type	Unicast / Multicast																			
	Max. frame rate for each stream*3	<table border="1"> <thead> <tr> <th>Stream(1)</th> <th>Stream(2)</th> <th>Stream(3)</th> <th>JPEG(1)</th> <th>JPEG(2)</th> </tr> </thead> <tbody> <tr> <td>1920x1080(30fps)</td> <td>640x360(30fps)</td> <td>Off</td> <td>1920x1080(1fps)</td> <td>1280x720(1fps)</td> </tr> <tr> <td>1280x720(30fps)</td> <td>1280x720(30fps)</td> <td>Off</td> <td>1920x1080(1fps)</td> <td>1280x720(1fps)</td> </tr> <tr> <td>1600x1200(30fps)</td> <td>640x480(30fps)</td> <td>Off</td> <td>1600x1200(1fps)</td> <td>1280x960(1fps)</td> </tr> </tbody> </table>	Stream(1)	Stream(2)	Stream(3)	JPEG(1)	JPEG(2)	1920x1080(30fps)	640x360(30fps)	Off	1920x1080(1fps)	1280x720(1fps)	1280x720(30fps)	1280x720(30fps)	Off	1920x1080(1fps)	1280x720(1fps)	1600x1200(30fps)	640x480(30fps)	Off	1600x1200(1fps)
Stream(1)	Stream(2)	Stream(3)	JPEG(1)	JPEG(2)																	
1920x1080(30fps)	640x360(30fps)	Off	1920x1080(1fps)	1280x720(1fps)																	
1280x720(30fps)	1280x720(30fps)	Off	1920x1080(1fps)	1280x720(1fps)																	
1600x1200(30fps)	640x480(30fps)	Off	1600x1200(1fps)	1280x960(1fps)																	
JPEG/ Image Quality	10 steps																				

Network	Smart Coding	GOP(Group of pictures) control: On(Frame rate control) / On(Advanced) / On(Mid.) / On(Low) / Off * Frame rate control and Advanced are only available with H.265. AUTO VIQS: On / Off	
	Audio Compression	—	
	Audio transmission mode Supported Protocol	—	
	No. of Simultaneous Users	Up to 14 users (Depends on network conditions)	
	SDXC/SDHC/SD Memory Card	H.265/H.264 recording: Manual REC / Alarm REC (Pre/Post) / Schedule REC Compatible SDXC/SDHC/SD Memory Card : microSDXC memory card: 64 GB, 128 GB, 256 GB, 512 GB microSDHC memory card: 4 GB, 8 GB, 16 GB, 32 GB microSD memory card: 2 GB	
	Mobile Terminal Compatibility	iPad, iPhone, Android™ terminals	
	ONVIF® Profile	G / S / T	
	Alarm	Alarm Source	VMD alarm, SCD alarm, Command alarm
		Alarm Actions	SDXC/SDHC/SD memory recording, E-mail notification, HTTP alarm notification Indication on browser, TCP alarm notification output
	Input/ Output	Monitor Output(for adjustment)	—
Audio input		—	
Audio Output		—	
General	External I/O Terminals	—	
	Safety	UL (UL60950-1), c-UL (CSA C22.2 No.60950-1), CE, IEC60950-1	
	EMC	FCC (Part15 ClassA), ICES003 ClassA, EN55032 ClassB, EN55024	
	Power Source and Power Consumption	PoE (IEEE802.3af compliant) Device: DC48 V 90 mA, Approx. 4.3 W (Class 2 device)	
	Ambient Operating Temperature	-10 °C to +50 °C (+14 °F to +122 °F)	
	Ambient Operating Humidity	{Power On range: 0 °C to +50 °C (+32°F to +122 °F)} 10 to 90 % (no condensation)	
	Dimensions	59 mm (W) x 49 mm (H) x 116 mm (D) *Installing using the base bracket {2-5/16 inches (W) x 1-15/16 inches (H) x 4-9/16 inches (D)} (excluding side cover)	
	Mass (approx.)	155 g { 0.34 lbs. }	
	Finish	Main body: PC / ABS resin, i-PRO white	

*1 Converted value
*2 When "4:3(30fps mode)" or "4:3(25fps mode)" is selected for "Image capture mode", "90 °" and "270 °" cannot be selected.
*3 Smart Coding(GOP and AUTO VIQS) is not available when setting 30fps.
*4 It may be necessary to upgrade the firmware to use these protocols.

Appearance

Unit : mm (inches)



Trademarks and registered trademarks

- iPad and iPhone are trademarks of Apple Inc., registered in the U.S. and other countries.
- Android is a trademark of Google LLC.
- ONVIF is a trademark of ONVIF, Inc.
- All other trademarks identified herein are the property of their respective owners.

Important

- Safety Precautions : Carefully read the Basic Information, Installation Guide and Operating Instructions before using this product.
- i-PRO Co., Ltd. cannot be held responsible for the performance of the network and/or other manufacturers' products used on the network.

• Masses and dimensions are approximate. • Specifications are subject to change without notice.