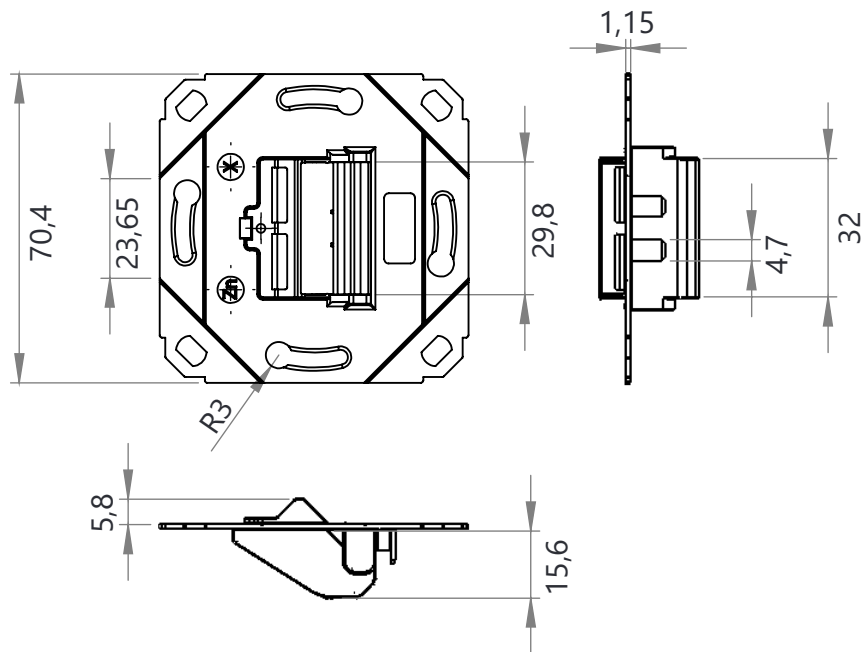


Technical Data

Materials	
frame	zinc diecast
screw	M2,5x5 mm / M2,5x8 mm steel
centralplate	PC white (similar to RAL9010)
Possible Modules (ZVK)	
preLink® Keystone Cat.6 _A ISO angled	Art.No. CKWAS010 / CKWAS020 / CKWAO100
preLink® Keystone Cat.6A EIA angled	Art.No. CKWES010 / CKWES020 / CKWEO100
preLink® Keystone Cat.6 _A	Art.No. CKPAS010 / CKPAS020 / CKPES010 / CKPES020
fixLink® Keystone Cat.6 _A ISO	Art.No. CKFAK001 / CKFAKFL1
fixLink® Keystone Cat.6 _A ISO angled	Art.No. CKWAK007 / CKWAKFL7
Possible Central Plates	
All UAE-covers from the typical switch range manufacturer	
UAE-covers inclusive part numbers of the manufacturer are proved, you can find seperately as an product information.	

Drawing



All rights reserved ZVK GmbH D-94244 Teisnach Technologicampus 2 Germany Phone: +49 9923 804379-0 Fax: +49 9923 804379-50 www.zvk-gmbh.de all data without guarantee

b a	Change Created	18.12.2023 22.11.2016	TG MJ	drawn	22.11.2016	MJ
				appr.	22.11.2016	GF
Rev. Index				Titel:		
Revision code				Designable Data Outlet SL for 1 Keystone with cover plate 50x50 mm		
Date				Drawing Number:		
Name				ZN-BL161067		
				 EasyLan® ...for a better connectivity		
				Dimensions: mm		
				Original: DIN A4		
				Sheet 2 of 2		