

**Data sheet****Industry IP67 V1 bulkhead protective cap**

Page 1/5

P/N

1401018102KI

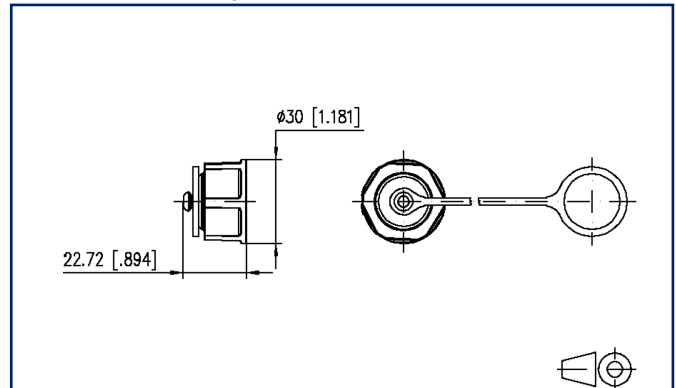
EAN 4250184114314

2023/03/30

Version: M

**Illustrations**

Dimensional drawing



See enlarged drawings at the end of document

**Product specification**

- good ingress protection also if not plugged in due to tight IP67 protective cap
- flammability class as per UL 94V-0
- improved resistance to chemical substances
- captive, attached protective cap
  
- variants: protective cap for plug or flange



# P | Cabling

Data sheet

Page 2/5

## Industry IP67 V1 bulkhead protective cap

P/N

1401018102KI

EAN 4250184114314

2023/03/30

Version: M

### Technical Data

#### General Data

Fields of application	harsh environment
Mechanical measurement according to MICE	M1
Ingress measurement according to MICE	I1
Climatic measurement according to MICE	C1
Electromagnetic measurement according to MICE	E3
Design	protective cap
Mounting style	Accessories
Color	black
Dimensions	
Dimension (L x W x H)	22.72 mm x 30 mm x 30 mm
Dimension (L x W x H)	0.894 in. x 1.181 in. x 1.181 in.

#### Connections/interfaces

Protective housing	V1
--------------------	----

#### Mechanical data

IP67-protective cap	captive
---------------------	---------

#### Materials and material properties

Material	Plastics
Halogen free	yes
RoHS	compliant

#### Environmental conditions

Temperature (min. - max.)	
Temperature - Storage °C	-40 °C - 70 °C
Temperature - Storage °F	-40 °F - 158 °F
Temperature - Operating °C	-40 °C - 70 °C
Temperature - Operating °F	-40 °F - 158 °F
Particulate ingress	IP6X
Liquid ingress/immersion	IPX7
Increased chemical resistance	yes

General information  
 This product is suitable for use in industrial environments inside buildings with IPxy protection class according to DIN EN 60529 specified in this data sheet. Not specified for outdoor applications.

# P | Cabling

## Data sheet Industry IP67 V1 bulkhead protective cap

Page 3/5

P/N  
1401018102KI  
EAN 4250184114314  
2023/03/30  
Version: M

### Technical Data

#### Approvals

UL listed (file no.)



DUXR.E178484

#### Standards/Regulations

Degrees of Protection Provided by Enclosures IEC 60529

#### Classifications

ETIM 5.0 EC002597

ETIM 6.0 EC000723

ETIM 7.0 EC002314

ETIM 8.0 EC002314

ETIM 9.0 EC002314

#### Packing details

Type of packaging 10 pc(s) / box

Packaging unit - Weight (gram) 136 g

Packaging unit - Weight (pound) 0.3 lb

Packaging dimension 258 mm x 164 mm x 51 mm

Packaging dimension 10.157 in. x 6.457 in. x 2.008 in.

# P | Cabling

Data sheet

Page 4/5

## Industry IP67 V1 bulkhead protective cap

P/N

1401018102KI

EAN 4250184114314

2023/03/30

Version: M

### Accessories from

P/N	Designation
1401013300ME	Industry IP67 V1 metal bulkhead
1401013300ME-F5	Industry IP67 V1 metal bulkhead
1401013302KE	Industry IP67 V1 bulkhead
1401113310ME	E-DAT Industry IP67 V1 metal bulkhead + RJ45 field jack insert Cat.6 Class E <sub>A</sub> , T568A
1401113312KE	E-DAT Industry IP67 V1 bulkhead + RJ45 field jack insert Cat.6 Class E <sub>A</sub> , T568A
1401213310ME	E-DAT Industry IP67 V1 metal bulkhead + RJ45 coupler insert Cat.6 Class E <sub>A</sub>
1401213312KE	E-DAT Industry IP67 V1 bulkhead + RJ45 coupler insert Cat.6 Class E <sub>A</sub>
1402113320ME	OpDAT Industry IP67 V1 metal bulkhead + SC-RJ/2SC MM adapter insert
1402113322KE	OpDAT Industry IP67 V1 bulkhead + SC-RJ/2SC MM adapter insert
1402313320ME	OpDAT Industry IP67 V1 metal bulkhead + LC-D MM adapter insert
1402313322KE	OpDAT Industry IP67 V1 bulkhead + LC-D MM adapter insert
1402K13320ME	OpDAT Industry IP67 V1 metal bulkhead + SC-RJ/2SC SM adapter insert
1402K13322KE	OpDAT Industry IP67 V1 bulkhead + SC-RJ/2SC SM adapter insert
1402L13320ME	OpDAT Industry IP67 V1 metal bulkhead + LC-D SM adapter insert
1402L13322KE	OpDAT Industry IP67 V1 bulkhead + LC-D SM adapter insert

# P | Cabling

Data sheet

## Industry IP67 V1 bulkhead protective cap

Page 5/5

P/N

1401018102KI

EAN 4250184114314

2023/03/30

Version: M

### Illustrations

Dimensional drawing

