

Data sheet

E-DAT Industry RJ45 plug insert Cat.6 Class E_A

Page 1/8

P/N

1401500810-I

EAN 4250184114109

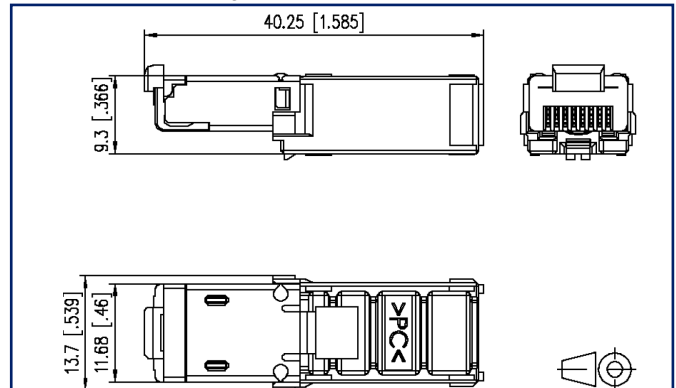
2023/04/05

Version: AG

Illustrations



Dimensional drawing



See enlarged drawings at the end of document

Product specification

- Cat.6 class E_A plug to be mounted in IP67 plug housings of variants 1, 4, 5 and 14
- compliance with class E_A according to ISO/IEC 11801, DIN EN 50173-1
- suitable for 10 GBit Ethernet(IEEE 802.3an), Remote Powering (PoE, PoE plus and UPoE) and HDBaseT
- connection of AWG 27/7 - 24/7 and AWG 24/1 possible
- solid copper wire diameter from 0.36 to 0.51 mm
- solid copper wire diameter from 0.46 to 0.61 mm
- conductor diameter 0.85 mm to 1.05 mm
- cable jacket up to 7.3 mm
- without lock lever
- connection of crimp contacts and shield in one step using crimping tool
- color may differ from figure



Technical Data

General Data

Fields of application	Industrial Ethernet
Mechanical measurement according to MICE	M1
Ingress measurement according to MICE	I1
Climatic measurement according to MICE	C1
Electromagnetic measurement according to MICE	E2
Design	plug
Shielding	unshielded
Transmission technology	Copper
Dimensions	
Dimension (L x W x H)	40.25 mm x 13.7 mm x 9.3 mm
Dimension (L x W x H)	1.585 in. x 0.539 in. x 0.366 in.
Labeling option	firmly printed label areas

Transmission characteristics

Category (ISO)	6
Class (ISO/IEC)	E _A
Category (TIA)	6
Remote Powering	yes
PoE	IEEE 802.3af
PoE plus	IEEE 802.3at
UPoE	yes
HDBaseT	yes
Transmission rate up to 10 GBit	IEEE 802.3an

Connections/interfaces

Connector technology interface 1	IDC-connection
Connector technology interface 2	RJ45 plug
Number of ports interface 2	1
Number of ports interface 2 equipped	1
Number of positions/contacts interface 1	8
Number of positions/contacts interface 2	8P/8C

Technical Data

Connections/interfaces

Termination data, solid wire (min. - max.)

Conductor cross section, solid wire	AWG 26/1 - AWG 24/1
Conductor cross section, solid wire	0.128 mm ² - 0.205 mm ²
Conductor diameter, solid wire (bare copper)	0.409 mm - 0.511 mm
Conductor diameter, solid wire (bare copper)	0.016 in. - 0.02 in.

Termination data, stranded wire (min. - max.)

Conductor cross section, stranded wire	AWG 27/7 - AWG 24/7
Conductor cross section, stranded wire	0.111 mm ² - 0.227 mm ²
Conductor diameter, stranded wire (bare copper)	0.457 mm - 0.61 mm
Conductor diameter, stranded wire (bare copper)	0.018 in. - 0.024 in.

Aderdurchmesser (min.-max.)

Core diameter (conductor with insulation)	0.85 mm - 1.05 mm
Core diameter (conductor with insulation)	0.033 in. - 0.041 in.

Cable sheath diameter (min. - max.)

Cable sheath diameter	7.30
Cable sheath diameter	0.287

Cable access/outlet	180°
---------------------	------

Electrical characteristics

Current carrying capacity	max. 1 A
Contact resistance	max. 20 mOhm
Insulation resistance	min. 500 MOhm
Dielectric strength conductor-conductor (secondary)	min. 1000 V DC

Mechanical data

Mounting method	snap-in function
Insertion and withdrawal force	max. 30 N

P | Cabling

Data sheet

Page 4/8

E-DAT Industry RJ45 plug insert Cat.6 Class E_A

P/N

1401500810-I

EAN 4250184114109

2023/04/05

Version: AG

Technical Data

Materials and material properties

Material - Housing	PC UL94 V0
Material - Contact	PhBr (phosphor bronze)
Material - Contact finish	Ni + Au (nickel-gold)
Material - Shield	CuZnPb (brass)
Material - Shield finish	Ni (nickel)
Material - Latch	Plastics
Halogen free	yes
RoHS	compliant

Environmental conditions

Temperature (min. - max.)	
Temperature - Storage °C	-40 °C - 70 °C
Temperature - Storage °F	-40 °F - 158 °F
Temperature - Operating °C	-40 °C - 70 °C
Temperature - Operating °F	-40 °F - 158 °F
Rapid change of temperature	-40°C / -40°F - +70°C / 158°F / 25 cycles t=30 min
Damp heat	+25°C / +77°F / +65°C / +149°F / 93% RH // -10°C / -14°F / 21 cycles
Flowing mixed gas	+25 °C / +77°F / 73% RH / 4 days, H2S / SO2
Vibration	50 m/s ²
Shock	250 m/s ²

Approvals

UL listed (file no.)



DUXR.E178484

Standards/Regulations

Generic cabling systems	
General requirements	ANSI/TIA-568-C
Application-specific communications cabling systems	
UL standard for Communications-Circuit Accessories	UL 1863



P | Cabling

Data sheet

Page 5/8

E-DAT Industry RJ45 plug insert Cat.6 Class E_A

P/N

1401500810-I

EAN 4250184114109

2023/04/05

Version: AG

Technical Data

Standards/Regulations

Connectors for electronic equipment

Free and fixed connectors DIN EN 60603-7-41:2011-01

Interference proof

Immunity for industrial environments DIN EN 61000-6-2:2006-03

Emission proof

Electromagnetic emission for residential, commercial and light-industrial environments DIN EN 61000-6-3:2011-09

Climate tests IEC 60512-11

Classifications

ETIM 5.0 EC001121

ETIM 6.0 EC001121

ETIM 7.0 EC001121

ETIM 8.0 EC001121

ETIM 9.0 EC001121

Packing details

Type of packaging 10 pc(s) / box

Packaging unit - Weight (gram) 82 g

Packaging unit - Weight (pound) 0.18 lb

Packaging dimension 250 mm x 105 mm x 89 mm

Packaging dimension 9.843 in. x 4.134 in. x 3.504 in.

P | Cabling

Data sheet

Page 6/8

E-DAT Industry RJ45 plug insert Cat.6 Class E_A

P/N

1401500810-I

EAN 4250184114109

2023/04/05

Version: AG

Accessories

P/N	Designation
130907-E	Crimp pliers for E-DAT Industry IP20 RJ45 plug

© 2023 METZ CONNECT - Technische Änderungen vorbehalten! Subject to modifications! Sous réserve de modifications techniques!



P | Cabling

Data sheet

Page 7/8

E-DAT Industry RJ45 plug insert Cat.6 Class E_A

P/N

1401500810-I

EAN 4250184114109

2023/04/05

Version: AG

Accessories from

P/N	Designation
1401015000ME	Industry IP67 V1 metal plug housing
1401015002KE	Industry IP67 V1 plug housing
1401025000ME	Industry IP67 V1 metal plug housing bend protected
1401025002KE	Industry IP67 V1 plug housing bend protected
1401045002KE	Industry IP67 V4 plug housing
1401055002KE	Industry IP67 V4 plug housing bend protected
1401065000ME	Industry IP67 V5 metal plug housing
14010850C0ME	E-DAT Industry IP67 V14 plug housing for RJ45 unequipped
14010950C0ME	E-DAT Industry IP67 V14 plug housing bend protected for RJ45 unequipped



P | Cabling

Data sheet

E-DAT Industry RJ45 plug insert Cat.6 Class E_A

Page 8/8

P/N

1401500810-I

EAN 4250184114109

2023/04/05

Version: AG

Illustrations

Dimensional drawing

