

Data sheet**MCO IP69k protective cover for flange**

Page 1/3

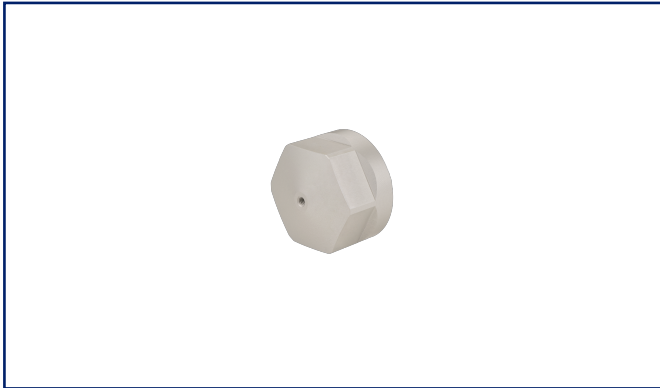
P/N

14040Z02-E

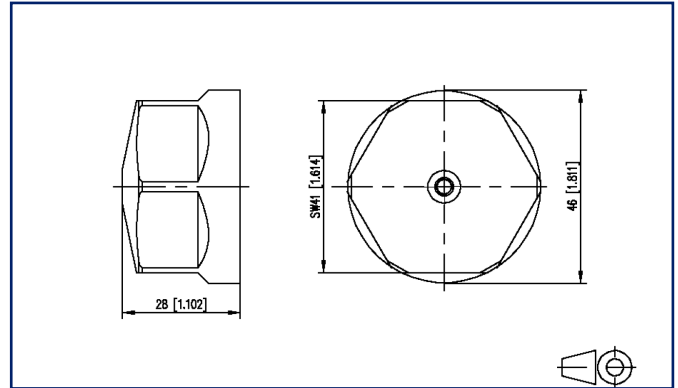
EAN 4251394617640

2023/06/19

Version: B

Illustrations

Dimensional drawing



See enlarged drawings at the end of document

Product specification

- M32 protective cover made of anodised aluminium
- suitable for part. no.: 14040000-E, 14040010-E, 14040100-E



P | Cabling

Data sheet

Page 2/3

MCO IP69k protective cover for flange

P/N

14040Z02-E

EAN 4251394617640

2023/06/19

Version: B

Technical Data

General Data

Color	Aluminium anodised
Dimensions	
Dimension (L)	28 mm
Dimension (L)	1.102 in.
Dimension	Ø 46 mm

Materials and material properties

Material - Protective housing	Al (Aluminium)
Material - Protective housing finish	anodized
RoHS	yes

Classifications

ETIM 7.0	EC000444
ETIM 8.0	EC000444
ETIM 9.0	EC000444

Packing details

Type of packaging	1 pc(s) / plastic bag
-------------------	-----------------------

Notes

Safety instructions	The rated voltage of the installed components shouldn't increase over 50 VAC or 75 VDC.
---------------------	---



P | Cabling

Data sheet

MCO IP69k protective cover for flange

Page 3/3

P/N

14040Z02-E

EAN 4251394617640

2023/06/19

Version: B

Illustrations

Dimensional drawing

