

## Data sheet

### OpDAT FAST™ Hybrid connector kit LC APC OS2 10 pieces for cables

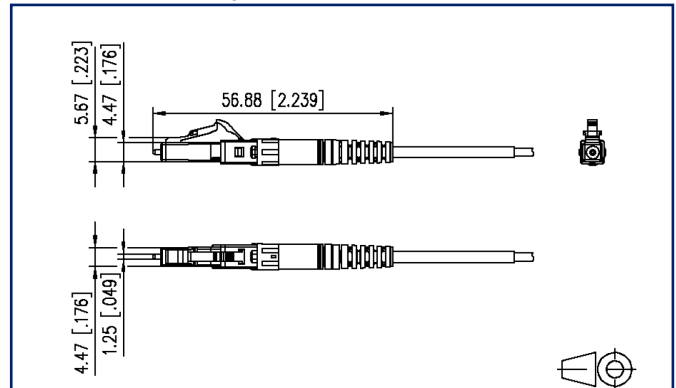
Page 1/6

P/N  
1509QKJA0010-E  
EAN 4251394625485  
2023/06/22  
Version: H

## Illustrations



Dimensional drawing



See enlarged drawings at the end of document

## Product specification

- Field-attachable fiber optic connector for single-mode technology
- with hybrid technology: refractive index gel plus opto-elastomer guarantee very good and constant optical values
- no polishing, no gluing during assembly on site
- simple, easy to learn, fast and cost-effective installation in less than two minutes
- Available with connector types LC and SC for singlemode (UPC and APC)
- plug kits for FO fibers with  $\varnothing$  0.25 and  $\varnothing$  0.9 mm
- plug kits for fibre optic cables with  $\varnothing$  2.0 and  $\varnothing$  3.0 mm
- the plug can be assembled up to three times
- every plug has a serial number, so that traceability is possible at any time
- Included in the scope of delivery depending on the variant:
  - a maintenance-free separator (Cleaver). It provides an oblique cut so that high return loss values are achieved. The Cleaver can be used up to 200 times.
  - a cable assembly kit for easy cable assembly
  - a fiber guide for easy insertion of the fiber into the connector
- fields of application:
  - for FTTH and FITH connections, repairs in the field, in areas which are difficult to access or limited in space and for direct mounting on components
- Versions for fibers: 10 pieces without tools / 20 or 100 pieces with Cleaver and fibre guide
- Variants for cables: 10 pieces without tools / 20 or 100 pieces with Cleaver, cable assembly set and fibre guide

# P | Cabling

Data sheet

Page 2/6

## OpDAT FAST™ Hybrid connector kit LC APC OS2 10 pieces for cables

P/N  
1509QKJA0010-E  
EAN 4251394625485  
2023/06/22  
Version: H

### Technical Data

#### General Data

Fields of application	structured building cabling Consolidation points office areas fiber to the desk Distributed building services data center
Mechanical measurement according to MICE	M1
Ingress measurement according to MICE	I1
Climatic measurement according to MICE	C1
Electromagnetic measurement according to MICE	E3
Design	plug, field assembly
Transmission technology	Fiber optic
Color	green
Dimensions	
Dimension (L x W x H)	57 mm x 4.47 mm x 4.47 mm
Dimension (L x W x H)	2.244 in. x 0.176 in. x 0.176 in.
Mode type of the fiber	Singlemode
Shape	APC (Angled Physical Contact)

#### Connections/interfaces

Connector technology interface 1	mechanical splice, fibre cut diagonally
Connector technology interface 2	LC
Single fibre diameter (min. - max.)	
Single fibre diameter	3 mm
Cable access/outlet	180°

#### Electrical characteristics

Insertion loss	0,2 bis 0,5 dB
Return loss	min. 60 dB

# P | Cabling

Data sheet

Page 3/6

## OpDAT FAST™ Hybrid connector kit LC APC OS2 10 pieces for cables

P/N  
1509QKJA0010-E  
EAN 4251394625485  
2023/06/22  
Version: H

### Technical Data

#### Mechanical data

Connector type	simplex
Mounting method	snap-in function
Life - Number of mating cycles	min. 500

#### Materials and material properties

Material - Housing	Plastics
Material - Cable boot	elastomer, flame-retardant and halogen free
Material - Ferrule	Ceramic
Material - Dust protection	elastomer, flame-retardant and halogen free
Halogen free	yes
RoHS	compliant

#### Environmental conditions

Temperature (min. - max.)	
Temperature - Storage °C	-25 °C - 70 °C
Temperature - Storage °F	-13 °F - 158 °F
Temperature - Operating °C	-25 °C - 70 °C
Temperature - Operating °F	-13 °F - 158 °F

#### Standards/Regulations

FO connector interfaces	IEC 61754-20 / ANSI/TIA-604-10-A
Fibre optic connector interfaces	IEC 61754-20

#### Classifications

ETIM 7.0	EC001122
ETIM 8.0	EC001122
ETIM 9.0	EC001122

#### Packing details

Type of packaging	10 pc(s) / box
-------------------	----------------

# P | Cabling

Data sheet

Page 4/6

## OpDAT FAST™ Hybrid connector kit LC APC OS2 10 pieces for cables

P/N

1509QKJA0010-E

EAN 4251394625485

2023/06/22

Version: H

### Accessories

P/N	Designation
150800200-E	Fibre optic tool Bag

© 2023 METZ CONNECT - Technische Änderungen vorbehalten! Subject to modifications! Sous réserve de modifications techniques!



# P | Cabling

Data sheet

## OpDAT FAST™ Hybrid connector kit LC APC OS2 10 pieces for cables

Page 5/6

P/N

1509QKJA0010-E

EAN 4251394625485

2023/06/22

Version: H

### Accessories from

P/N	Designation
14040000-E	MCO IP69k protective housing for outdoor use, set for exposed installation
14040010-E	MCO IP69k Protective housing for outdoor use, set with mounting bracket
14040100-E	MCO IP69k Protective housing for outdoor use, set wall/ housing bushing

# P | Cabling

Data sheet

Page 6/6

## OpDAT FAST™ Hybrid connector kit LC APC OS2 10 pieces for cables

P/N

1509QKJA0010-E

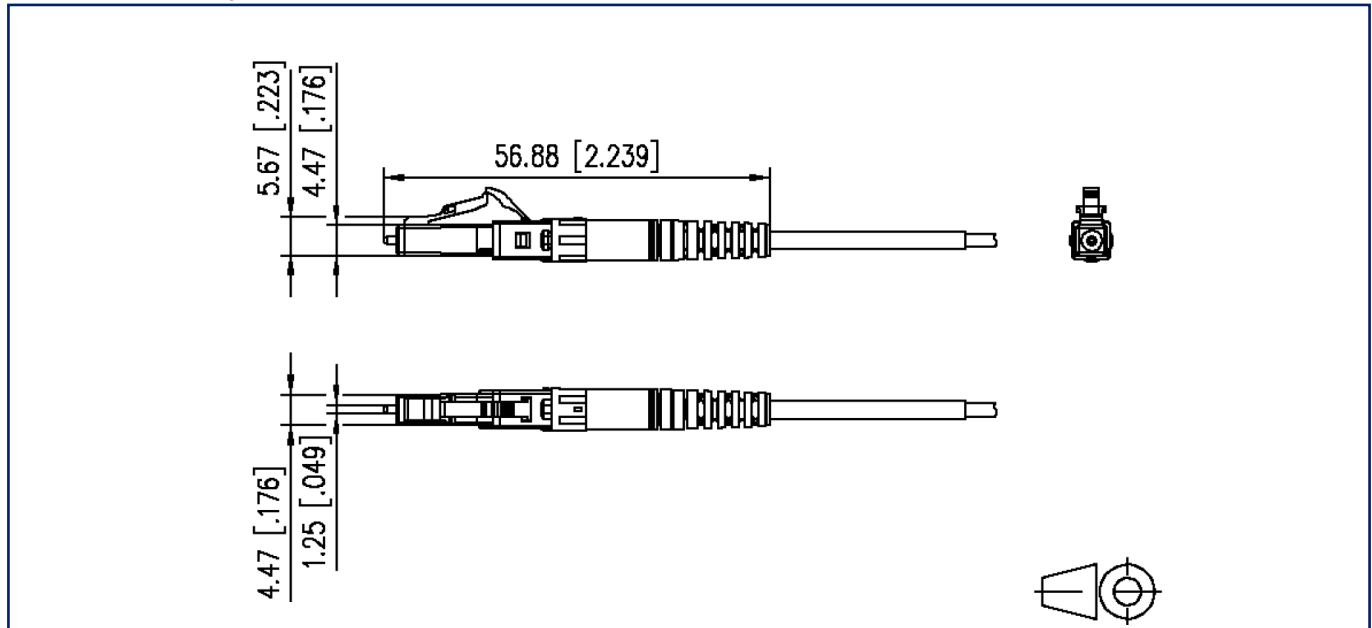
EAN 4251394625485

2023/06/22

Version: H

### Illustrations

Dimensional drawing



© 2023 METZ CONNECT - Technische Änderungen vorbehalten! Subject to modifications! Sous réserve de modifications techniques!