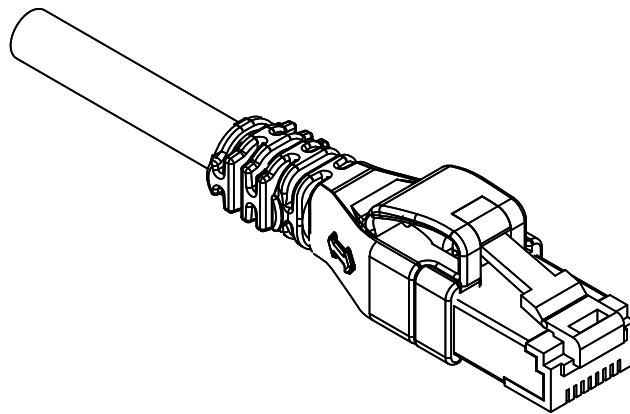


Technical Datasheet

EasyLan[®] Patch Cord DualBoot[®] PushPull Cat.6 ISO/IEC

Article No. : see on page 3



<small>d c b a</small>	<small>Änderung Änderung Ergänzung Neuerstellung</small>	<small>11.07.2023 15.11.2021 21.05.2019 14.09.2017</small>	<small>MW MW LP LP</small>	drawn	14.09.2017	LP	 EasyLan[®] <small>...for a better connectivity</small>	
				appr.	14.09.2017	MJ		
				Titel: EasyLan [®] Patch Cord DualBoot [®] PushPull Cat.6 ISO/IEC				Dimensions: mm
				Drawing Number: ZN-CU161005				Original: DIN A4
Index	Revision Code	Date	Name				Sheet 1 of 3	

Technical Data

General Data	
Connection	1:1
Colors	white, black, gray, red, yellow, green, blue, turquoise, violet, orange
Identification possibility	Colorclips (Order No.: CPZHS7BOX)
Cable Characteristics	
Cable type	S/FTP
Number twisting elements	4P+1
Twisting elements	Pair
Configuration	LSHF (LSOH) acc. EN50290-2-27
Braid	AWG26/7
Category	Cat. 6 ISO/IEC
Shielding	shielded
Connector Characteristics	
Housing material	Polycarbonate
Pin plating	Au (Gold)
Environmental Conditions	
Temperature range during operation	-25°C to + 60°C
Temperature range during installation	0°C to + 50°C
Approvals	
RoHS	conform
Standards	
General requests	ISO/IEC 11801 Ed.2.2: 2011-06 DIN EN 50173-1: 2011-09 TIA/EIA 568-C.2 DIN EN IEC 60332-3-24
Plug	DIN EN 60603-7
Transmission Characteristics	
Category (ISO)	6
Category (TIA)	6
Remote powering	yes
PoE	IEEE 802.3af
PoE +	IEEE 802.3at
PoE ++	IEEE 802.3bt
UPoE	yes
HDBaseT	yes
Bit rate up to 10 GBit	IEEE 802.3an

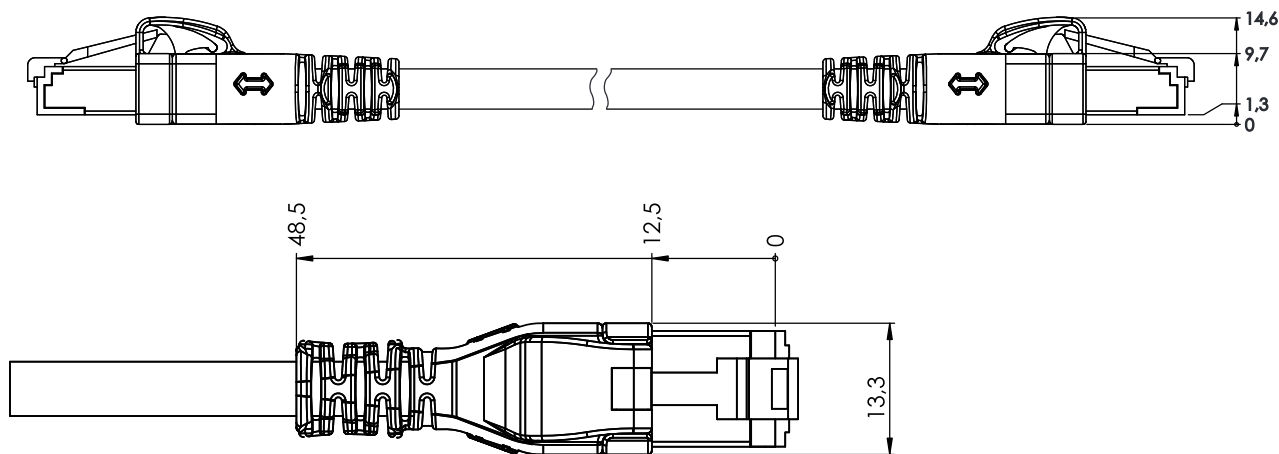
All rights reserved ZVK GmbH D-94244 Teisnach Technologiecampus 2 Germany Phone: +49 9923 804379-0 Fax: +49 9923 804379-50 www.zvk-gmbh.de

d c b a	Änderung	11.07.2023	MW	 EasyLan [®] ...for a better connectivity
	Änderung	15.11.2021	MW	
	Ergänzung	21.05.2019	LP	
	Neuerstellung	14.09.2017	LP	
Index	Revision Code	Date	Name	drawn 14.09.2017 LP appr. 14.09.2017 MJ Titel: EasyLan[®] Patch Cord DualBoot[®] PushPull Cat.6 ISO/IEC Dimensions: mm Original: DIN A4 Sheet 2 of 3
			ZN-CU161005	

Technical Data

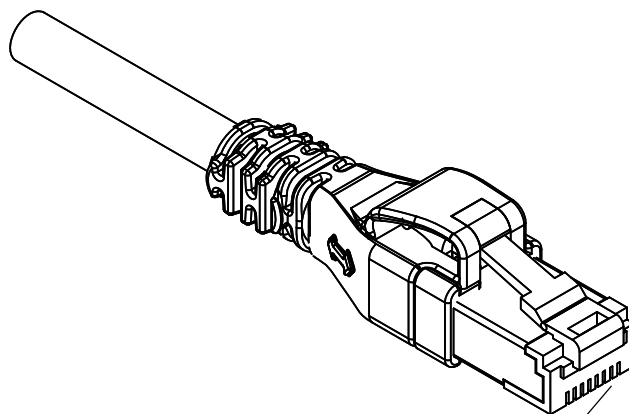
Electrical Characteristics	
Loop resistance	290 Ω/km
Insulation resistance	≥ 5000 MΩ*km
Characteristic impedance	100 ± 3Ω
Propagation delay	10ns / 100m
Packaging Unit	0,1 m - ≤5,0 m = 5 pcs >5,0 m = 1 pc

Drawing



Color	Order No.
white	CPP10WCWCWxxxx*
black	CPP10SCSCSxxxx*
gray	CPP10ACACAxxxx*
red	CPP10RCRCRxxxx*
yellow	CPP10YCYCYxxxx*
green	CPP10GCGCGxxxx*
blue	CPP10BCBCBxxxx*
turquoise	CPP10TCTCTxxxx*
violet	CPP10VCVCVxxxx*
orange	CPP10OCOCOxxxx*

*xxxx: Length in dm
e.g. 0010 = 1 m



dimension RJ45
according to IEC 60603-7

d Änderung c Änderung b Ergänzung a Neuerstellung	11.07.2023 15.11.2021 21.05.2019 14.09.2017	MW MW LP LP	drawn	14.09.2017	LP	 EasyLan [®] ...for a better connectivity	
			appr.	14.09.2017	MJ		
			Titel: EasyLan [®] Patch Cord DualBoot [®] PushPull Cat.6 ISO/IEC				Dimensions: mm
			Drawing Number: ZN-CU161005				Original: DIN A4
Index	Revision Code	Date	Name	Sheet 3 of 3			