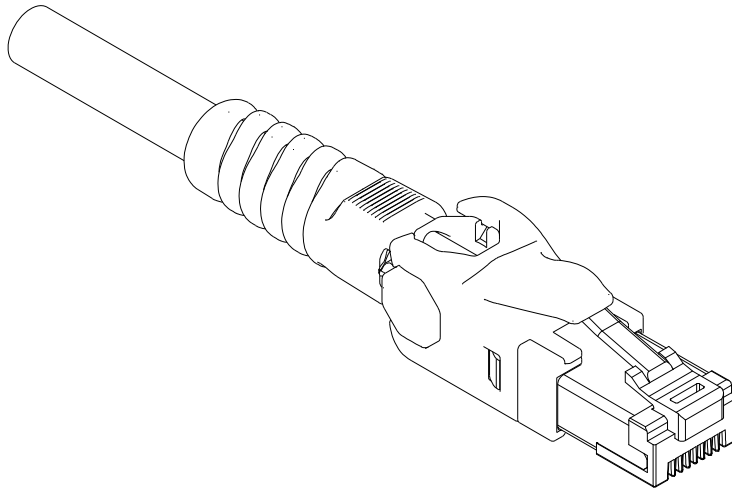



Technical Datasheet

EasyLan[®] Patch Cord VarioBoot Cat.6_A ISO/IEC

Article No. : see on page 3



				drawn	23.08.2018	LP	 EasyLan[®] ...for a better connectivity
				appr.	23.08.2018	MJ	
				Titel: EasyLan[®] Patch Cord VarioBoot Cat.6_A ISO/IEC			Dimensions: mm
				Drawing Number: ZN-CU181459			Original: DIN A4
f	Änderung	26.06.2024	MW				Sheet 1 of 3
e	Änderung	23.11.2021	MW				
d	Änderung	22.08.2019	LP				
c	Änderung	11.06.2019	LP				
b	Änderung	28.02.2019	LP				
a	Neuerstellung	23.08.2018	LP				
Index	Revision Code	Date	Name				

Technical Data

General Data	
Connection	1:1
Colors Cable	white, black, gray, red, yellow, green, blue, turquoise, violet, orange, PUR gray
Color Housing / Boot	black
Provided Accessories	Cover for 9 different arrangements
Cable Characteristics	
Cable type	S/FTP
Number twisting elements	4P+1 / 4P
Twisting elements	Pair
Configuration	LSHF (LSOH) / PUR
Braid	AWG26/7
Category	Cat. 6 _A ISO/IEC
Shielding	shielded
Connector Characteristics	
Housing material	Polycarbonate
Pin plating	Au (Gold)
Environmental Conditions	
Temperature range during operation	-25°C to + 60°C
Temperature range during installation	0°C to + 50°C
Approvals	
RoHS	conform
Standards	
General requests	ISO/IEC 11801 Ed.2.2: 2011-06 DIN EN 50173-1: 2011-09 TIA/EIA 568-C.2
Plug	DIN EN 60603-7
Transmission Characteristics	
Category (ISO)	6 _A
Category (TIA)	6 _A
Remote powering	yes
PoE	IEEE 802.3af
PoE +	IEEE 802.3at
PoE ++	IEEE 802.3bt
UPoE	yes
HDBaseT	yes
Bit rate up to 10 GBit	IEEE 802.3an

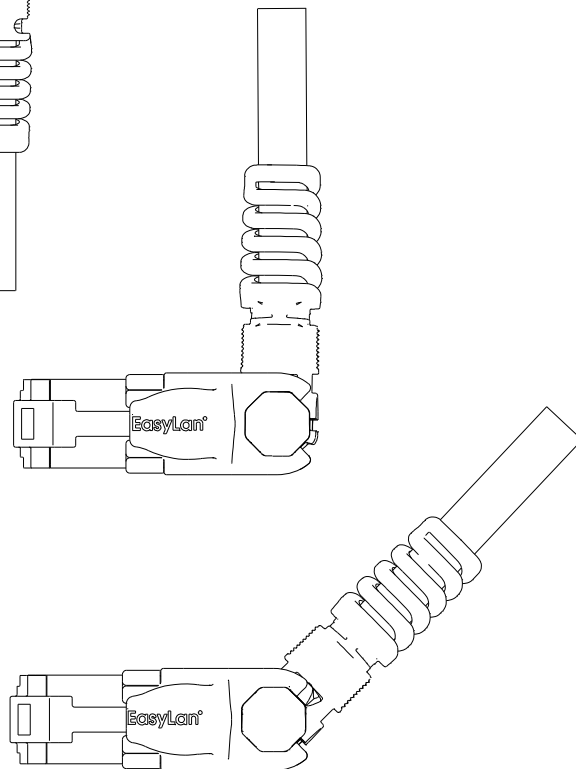
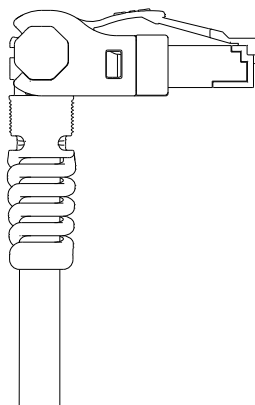
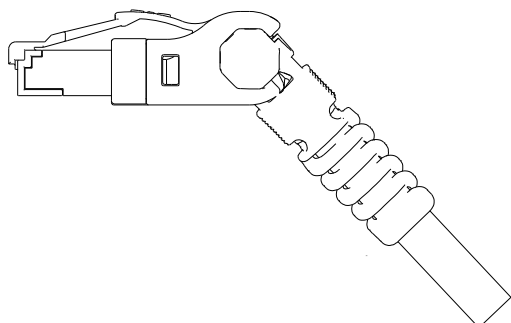
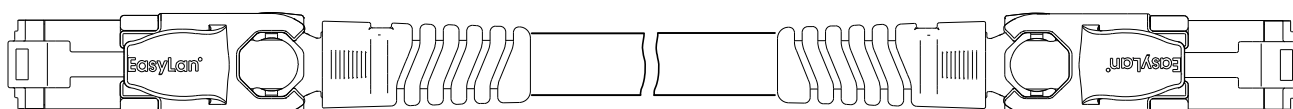
All rights reserved ZVK GmbH D-94244 Teisnach Technologiecampus 2 Germany Phone: +49 9923 804379-0 Fax: +49 9923 804379-50 www.zvk-gmbh.de all data without guarantee

				drawn	23.08.2018	LP	
				appr.	23.08.2018	MJ	
				Titel: EasyLan® Patch Cord VarioBoot Cat.6_A ISO/IEC			Dimensions: mm
				Drawing Number: ZN-CU181459			Original: DIN A4
							Sheet 2 of 3
f	Änderung	26.06.2024	MW				
e	Änderung	23.11.2021	MW				
d	Änderung	22.08.2019	LP				
c	Änderung	11.06.2019	LP				
b	Änderung	28.02.2019	LP				
a	Neuerstellung	23.08.2018	LP				
Index	Revision Code	Date	Name				

Technical Data

Electrical Characteristics	
Loop resistance	290 Ω/km
Insulation resistance	≥5000 MΩ*km
Characteristic impedance	100 ± 3Ω
Propagation delay	10ns / 100m
Packaging Unit	0,1 m - ≤5,0 m = 5 pcs >5,0 m = 1 pc

Drawing



Color	Order no.
white	CP1OWMSMSxxxx*
black	CP1OSMSMSxxxx*
gray	CP1OAMSMSxxxx*
red	CP1ORMSMSxxxx*
yellow	CP1OYMSMSxxxx*
green	CP1OGMSMSxxxx*
blue	CP1OBMSMSxxxx*
turquoise	CP1OTMSMSxxxx*
violet	CP1OVMSMSxxxx*
orange	CP1OOMSMSxxxx*
PUR gray	CP1PAMSMSxxxx*

*Length in dm (xxxx)
e.g. 0010 = 1 m

				drawn	23.08.2018	LP	
				appr.	23.08.2018	MJ	
				Titel:			Dimensions: mm
				EasyLan® Patch Cord VarioBoot Cat.6 _A ISO/IEC			
				Drawing Number:			Original: DIN A4
				ZN-CU181459			Sheet 3 of 3
f	Änderung	26.06.2024	MW				
e	Änderung	23.11.2021	MW				
d	Änderung	22.08.2019	LP				
c	Änderung	11.06.2019	LP				
b	Änderung	28.02.2019	LP				
a	Neuerstellung	23.08.2018	LP				
Index	Revision Code	Date	Name				