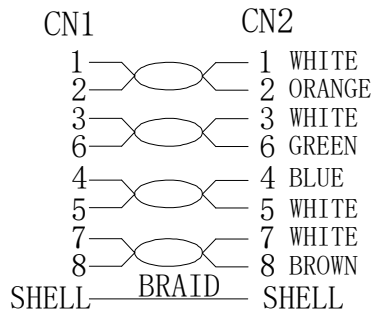


WIRING DIAGRAM



NOTE:

1. ELECTRICAL TEST:100% OPEN SHORT, MISS WIRE TEST
  2. FLUKE Channel LINK TEST:TEST LIMIT:ISO11801 Channel Class EA
  3. Working temperature:-10°C~+60°C
  4. Storage temperature:-20°C~+75°C
  5. Operation humidity:10%~85%
  6. Storage humidity:10%~85%
  7. RoHS2.0 AND REACH compliant
  8. Spray WORD:CAT6A S/FTP with 600MHz cat.7 raw cable 4x2x26AWG/7 TPE ISO11801 & EN50173 & ANSI/TIA568.2-D
  9. Halogen-free (IEC60754-2)
  10. Low smoke (IEC 61034)
  11. Flame retardant (IEC60332-1-2)
- Attention: Not suitable for underground installation;  
RJ-45 connections must be protected from the weather.

MATERIAL LIST

NO.	PARTS NAME	SPECIFICATION STANDARD	QT' Y	REMARK
③	OVER MOLD	75A PVC	2	
②	CONNECTOR	RJ45 8P8C Shielded Plug, Pin Gold Plated 3u" Shell Nickel plating COLOUR: Transparence Yellow	2	
①	CABLE	S/FTP CAT. 7 (26AWG BC*1P+AL-FOLL)*4PAIRS+BRAID(AL-MG) JACKET:TPE OD:6.0±0.2mm	1	
		Ass new lengths		2023-10-17 A1
		NEW		2023-02-01 A
BY	CHK	REVISION RECORD MODIFICATION		DATE REV.

Color:Black 3C	
ITEM NO.	LENGTH
21. 15. 0748	150±20mm
21. 15. 0749	300±20mm
21. 15. 0750	500±20mm
21. 15. 0751	1000±20mm
21. 15. 0752	2000±30mm
21. 15. 0753	3000±50mm
21. 15. 0755	5000±100mm
21. 15. 0757	7000±150mm
21. 15. 0759	10000±300mm

DESC.	ROLINE Outdoor S/FTP PatchCord, Cat.6A/Class EA
<b>SECOMP</b>	