

OFF ON

Data sheet

SAR 5

P/N
130284-I
EAN 4250184116660
2023/06/23

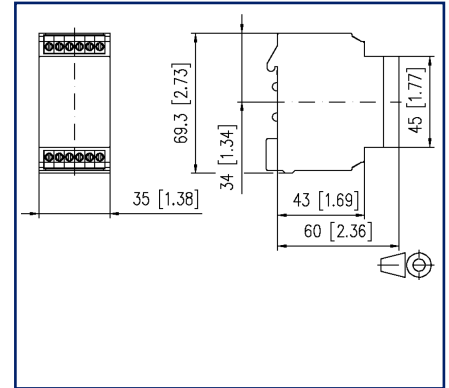
Illustrations



Dimensional drawing



Circuit diagram



See enlarged drawings at the end of document

Product specification

The SAR4 and SAR5 can be connected to a telecommunications access line or separate control voltage source (AC/DC) and are activated by the call voltage or control voltage. The SAR reacts either only to the call voltage or to the control voltage. It activates an external signal emitter with its own or separate power supply (e.g. bell, horn, or lamp).

Technical Data

Material

Color light gray

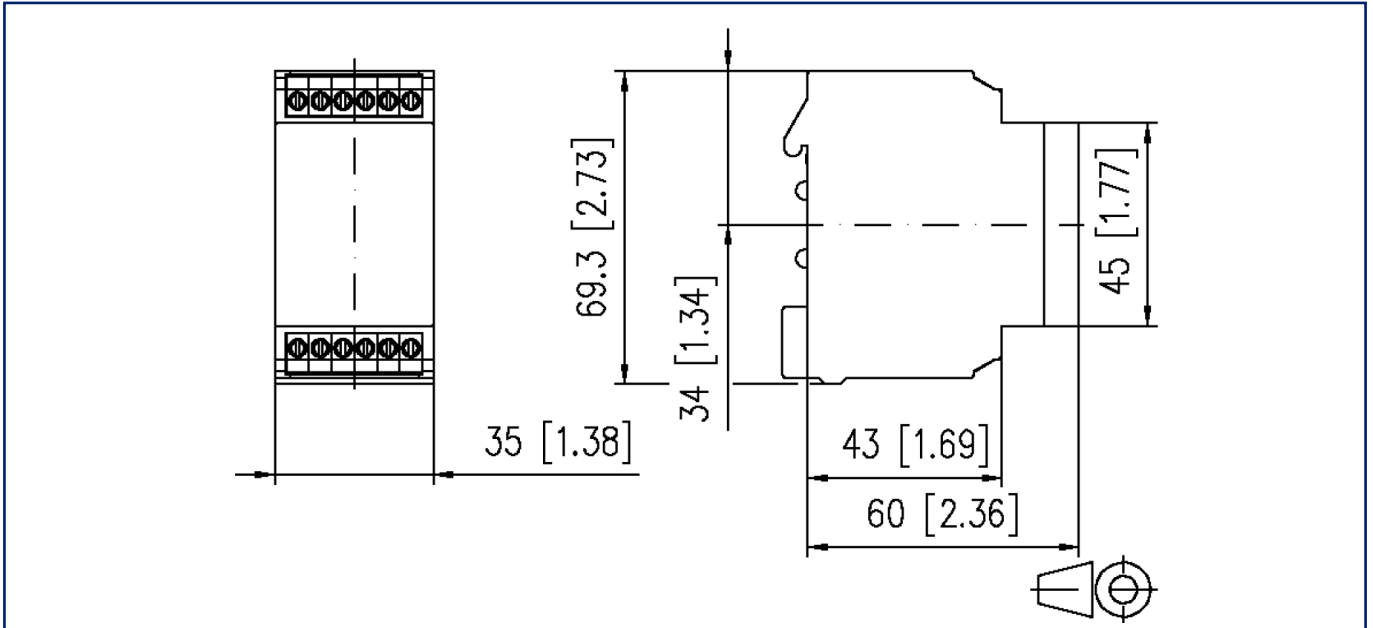
Classifications

ETIM 7.0	EC000373
ETIM 8.0	EC000373
ETIM 9.0	EC000373



Illustrations

Dimensional drawing



Circuit diagram

