

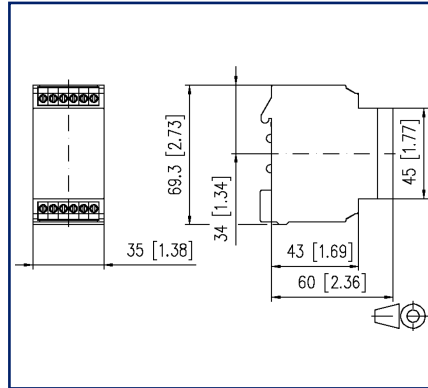
Data sheet

RTM-C12, 24 V AC/DC

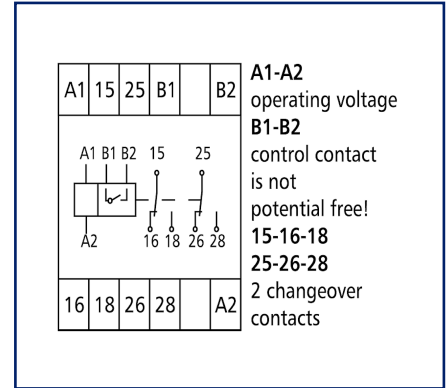
Illustrations



Dimensional drawing



Wiring diagram



See enlarged drawings at the end of document

Product specification

The timer relay is used for pulse prolongation. When the control contact is closed min. 5 ms, the relay is activated and releases after the adjusted pulse time has lapsed. Further control pulses during the pulse time do not have any effect.

- Adjustable pulse length: 0.15 to 3 s
- Connection with screw-type terminals

Technical Data

| Supply | |
|--|--|
| Operating voltage | 24 V AC/DC -15% ... +10% |
| Power consumption (max.) | 15 mA |
| Duty cycle relative | 100 % |
| Response time typical | 20 ms |
| Release time typical | 20 ms |
| pulse times, adjustable | 0.15 s - 3 s |
| Inputs | |
| Minimum switch-on duration | |
| Minimum switch-on duration (control contact) | >= 5 ms |
| Outputs | |
| Contacts | 2 changeover contacts |
| Contact material | AgNi 90/10 |
| Switching voltage (max.) | 250 V AC/DC |
| Continuous Current | 8 A |
| Mechanical life | 3x10 ⁷ switching cycles |
| Electrical life | 1x10 ⁵ switching cycles |
| Recovery time | |
| Recovery time (control contact) | >= 20 ms |
| Insulation coil - contact set | |
| Nominal voltage of the power supply system | 230 / 400 V AC |
| Overvoltage category | III II |
| Degree of pollution | 2 2 |
| Rated test voltage | 4 kV 2.5 kV |
| Type of insulation | basic insulation reinforced insulation |
| Housing | |
| Dimensions | |
| Dimension (W x H x D) | 35 mm x 69.3 mm x 60 mm |
| Dimension (W x H x D) | 1.378 in. x 2.728 in. x 2.362 in. |
| Weight | 100 g |
| Mounting style | Standard rail TH35 |
| Mounting position | any |

Technical Data

Housing

| | |
|-----------------|----------------------------|
| Apposition | without distance |
| Connection type | Screw type terminal blocks |

Material

| | |
|---------------------------|-----------------|
| Material - Housing | Polyamid 6.6 V0 |
| Color | gray |
| Material - Terminal block | Polyamid 6.6 V0 |
| Material - Covers | Polycarbonat |

Protection category according to IEC 60529

| | |
|---|------|
| Protection category - housing (acc. to IEC 60529) | IP40 |
| Protection category - terminal blocks (acc. to IEC 60529) | IP20 |

Temperature range

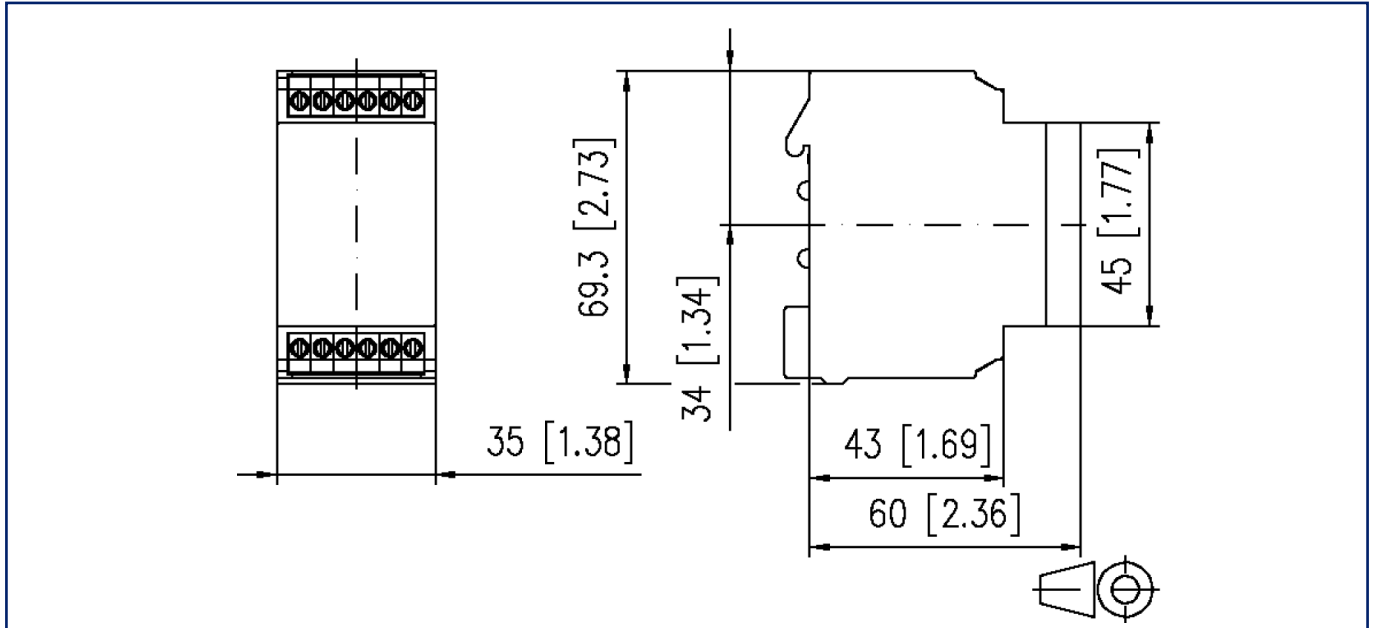
| | |
|----------------------------|-----------------|
| Operating | |
| Temperature - Operating °C | -10 °C - 55 °C |
| Temperature - Operating °F | 14 °F - 131 °F |
| Storage | |
| Temperature - Storage °C | -25 °C - 70 °C |
| Temperature - Storage °F | -13 °F - 158 °F |

Classifications

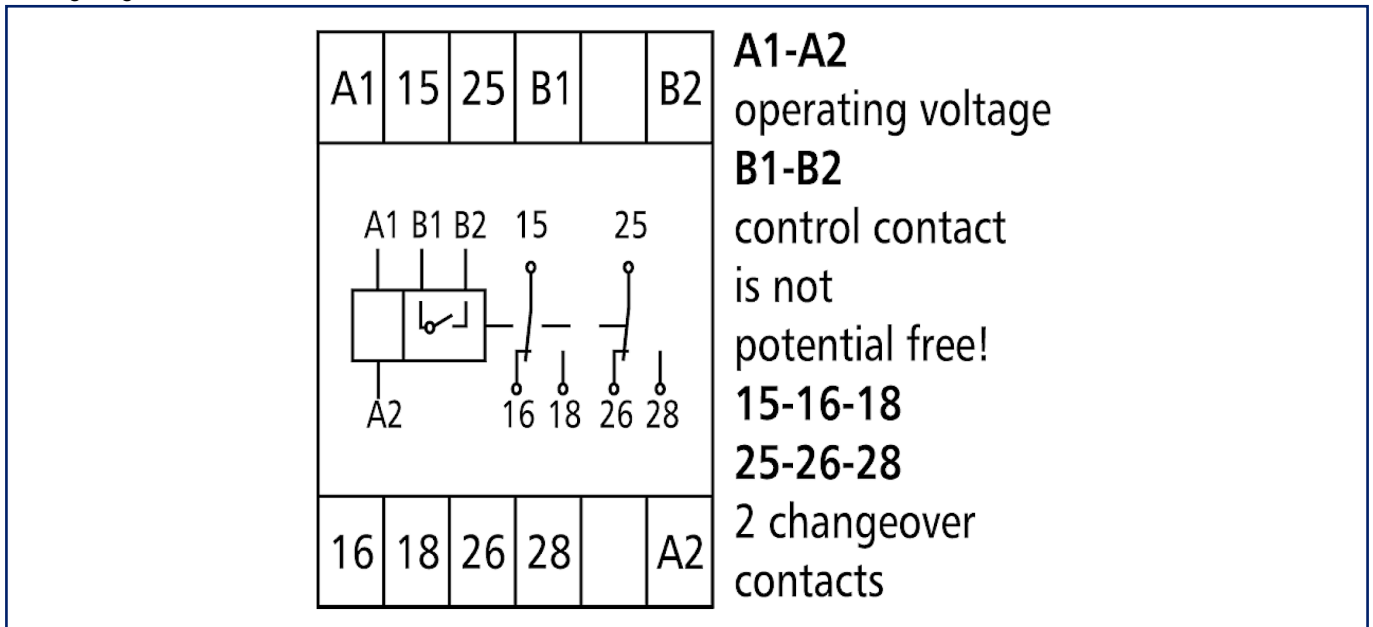
| | |
|----------|----------|
| ETIM 7.0 | EC001439 |
| ETIM 8.0 | EC001439 |
| ETIM 9.0 | EC001439 |

Illustrations

Dimensional drawing



Wiring diagram



© 2023 METZ CONNECT - Technische Änderungen vorbehalten! Subject to modifications! Sous réserve de modifications techniques!

Illustrations

Function diagram

