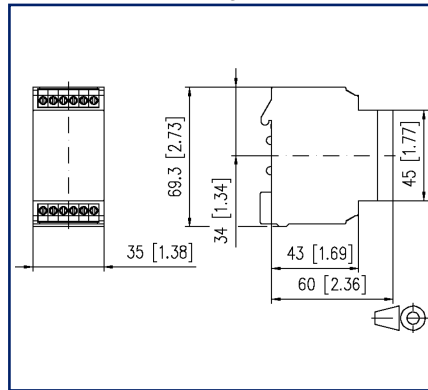


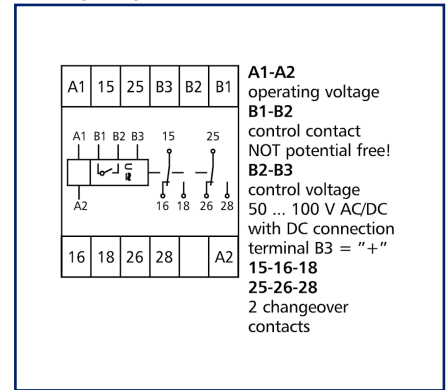
Illustrations



Dimensional drawing



Wiring diagram



See enlarged drawings at the end of document

Product specification

The timer relay is used for pulse prolongation. When the control contact is closed min. 5 ms, the relay is activated and releases after the adjusted pulse time has lapsed. Further control pulses during the pulse time do not have any effect.

- Adjustable pulse length: 0.15 to 3 s
- Connection with screw-type terminals

Technical Data

Supply	
Operating voltage	230 V AC -15% ... +10%
Power consumption (max.)	15 mA
Duty cycle relative	100 %
Response time typical	20 ms
Release time typical	20 ms
pulse times, adjustable	0.15 s - 3 s
Inputs	
Minimum switch-on duration	
Minimum switch-on duration (control contact)	>= 5 ms
Outputs	
Contacts	2 changeover contacts
Contact material	AgNi 90/10
Switching voltage (max.)	250 V AC/DC
Continuous Current	8 A
Mechanical life	3x10 ⁷ switching cycles
Electrical life	1x10 ⁵ switching cycles
Recovery time	
Recovery time (control contact)	>= 20 ms
Housing	
Dimensions	
Dimension (W x H x D)	35 mm x 69.3 mm x 60 mm
Dimension (W x H x D)	1.378 in. x 2.728 in. x 2.362 in.
Weight	160 g
Mounting style	Standard rail TH35
Mounting position	any
Apposition	without distance
Connection type	Screw type terminal blocks
Material	
Material - Housing	Polyamid 6.6 V0
Color	gray
Material - Terminal block	Polyamid 6.6 V0
Material - Covers	Polycarbonat

Data sheet
RTM-C12, 230 V AC

Page 3/5

P/N
11027605

EAN 4250184121008

2023/06/21

Version: B

Technical Data**Protection category according to IEC 60529**

Protection category - housing (acc. to IEC 60529) IP40

Protection category - terminal blocks (acc. to IEC 60529) IP20

Temperature range

Operating

Temperature - Operating °C -10 °C - 55 °C

Temperature - Operating °F 14 °F - 131 °F

Storage

Temperature - Storage °C -25 °C - 70 °C

Temperature - Storage °F -13 °F - 158 °F

Classifications

ETIM 7.0 EC001439

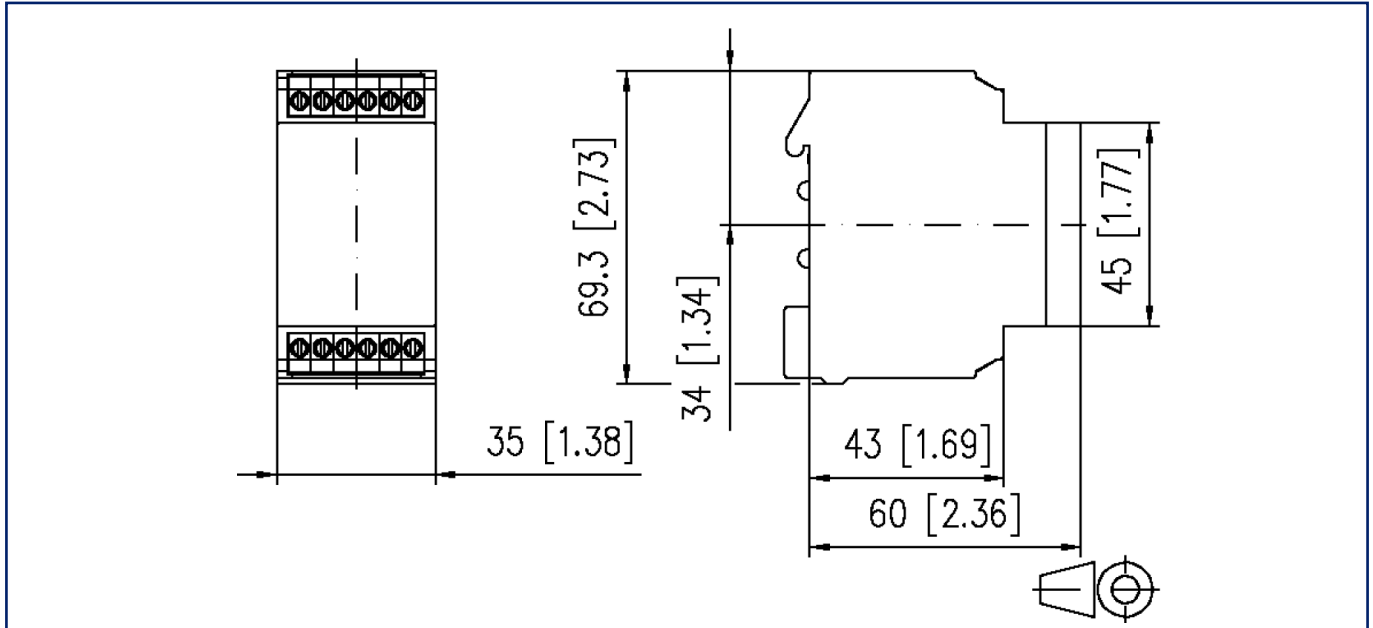
ETIM 8.0 EC001439

ETIM 9.0 EC001439

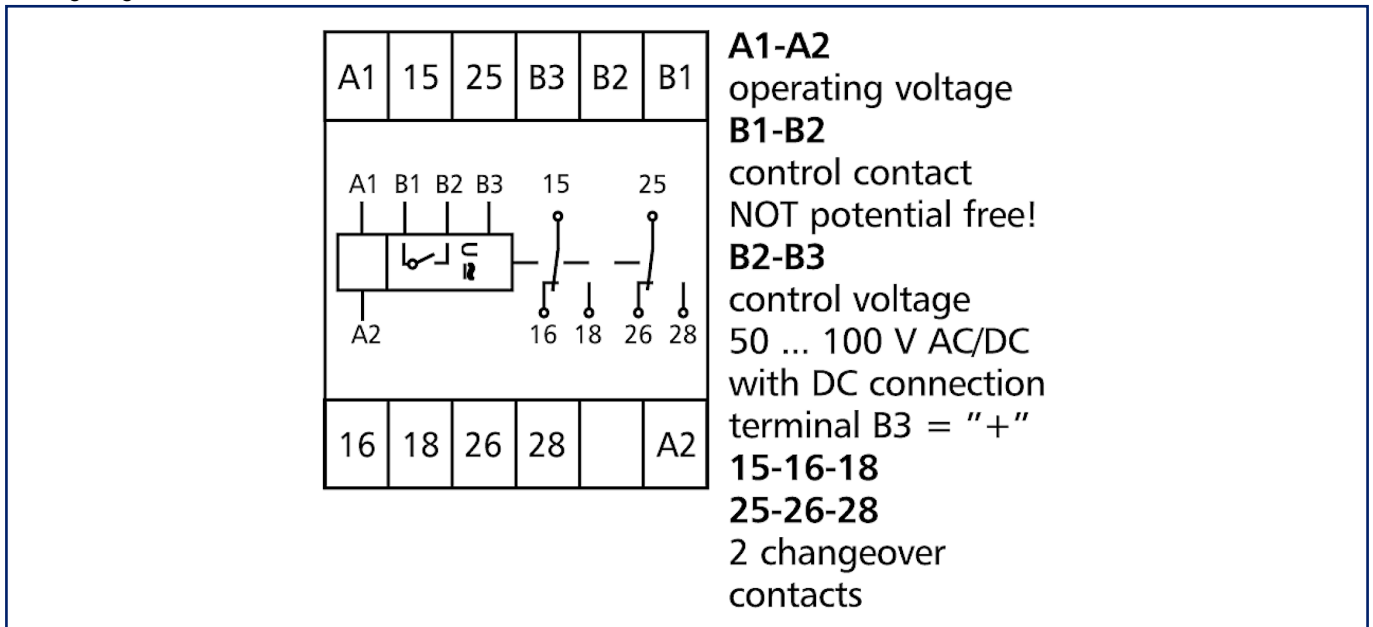


Illustrations

Dimensional drawing



Wiring diagram



Illustrations

Function diagram

