

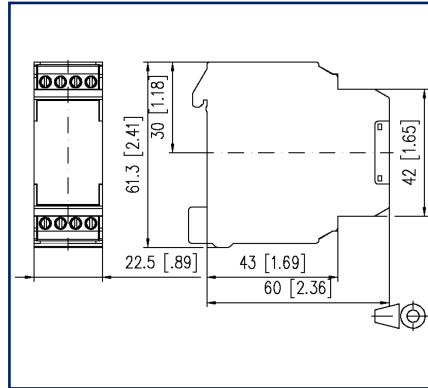
Data sheet

MARK-E08 230 V AC, 24 V AC/DC

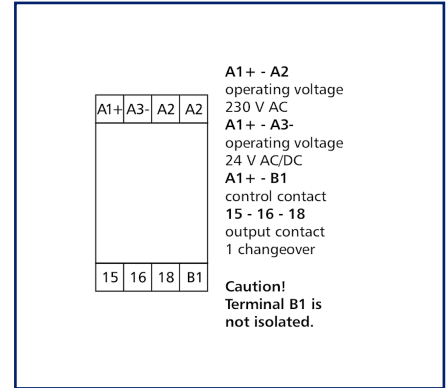
Illustrations



Dimensional drawing



Wiring diagram



See enlarged drawings at the end of document

Product specification

Multifunctional timer relay with incorporated coding switches to set functions. The time is set by means of a linear potentiometer on a relative scale.

- Connection with screw type terminal blocks
- Eight adjustable time ranges from 0.15 s to 10 h
- Five selectable functions
 1. On-delayed
 2. Off-delayed
 3. Making-pulse interval
 4. Flashing for pause start
 5. Flashing for pulse start



Technical Data

Supply	
Operating voltage	230 V AC / 24 V AC/DC -10% ... +10%
Time Ranges	
Time range adjustable	0.15 s - 10 h
Outputs	
Contacts	1 changeover contact
Contact material	AgSnO ₂
Switching voltage (max.)	250 V AC
Continuous Current	6 A
Switching frequency	1200 switching cycles/h
Mechanical life	1x10 ⁷ switching cycles
Electrical life	1x10 ⁵ switching cycles
Recovery time	
Recovery time (control contact)	> 50 ms
Indicator	green and red LED
Insulation coil - contact set	
Nominal voltage of the power supply system	230 / 400 V AC
Overvoltage category	III II
Degree of pollution	2 2
Rated test voltage	4 kV 2.5 kV
Type of insulation	basic insulation reinforced insulation
Housing	
Dimensions	
Dimension (W x H x D)	22.5 mm x 61.3 mm x 60 mm
Dimension (W x H x D)	0.886 in. x 2.413 in. x 2.362 in.
Weight	70 g
Mounting style	Standard rail TH35
Mounting position	any
Apposition	without distance
Connection type	Screw type terminal blocks

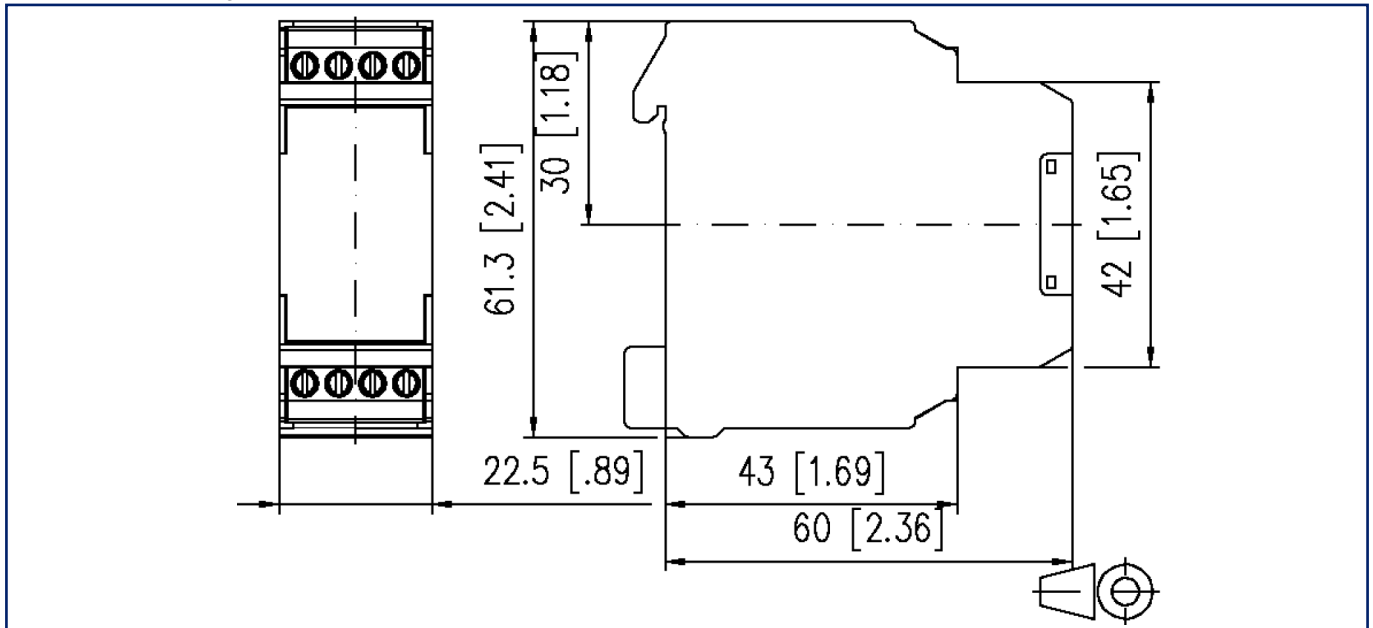
Technical Data

Terminal blocks	
Wire cross section solid	0.34 mm ² - 2.5 mm ² / AWG 22-12
Wire cross section multi	0.25 mm ² - 2.5 mm ² / AWG 22-12
Wire cross section with wire ferrule	0.25 mm ² - 2.5 mm ² / AWG 22-12
Screw torque (max.)	0.5 Nm
Stripping length (min.)	8 mm
Material	
Material - Housing	Polyamid 6.6 V0
Color	gray
Material - Terminal block	Polyamid 6.6 V0
Material - Covers	Polyamid 6.6 V0
Protection category according to IEC 60529	
Protection category - housing (acc. to IEC 60529)	IP40
Protection category - terminal blocks (acc. to IEC 60529)	IP20
Temperature range	
Operating	
Temperature - Operating °C	-10 °C - 55 °C
Temperature - Operating °F	14 °F - 131 °F
Storage	
Temperature - Storage °C	-25 °C - 70 °C
Temperature - Storage °F	-13 °F - 158 °F
Power loss	
Power loss (typical)	1 W
Classifications	
ETIM 7.0	EC001439
ETIM 8.0	EC001439
ETIM 9.0	EC001439



Illustrations

Dimensional drawing



Wiring diagram

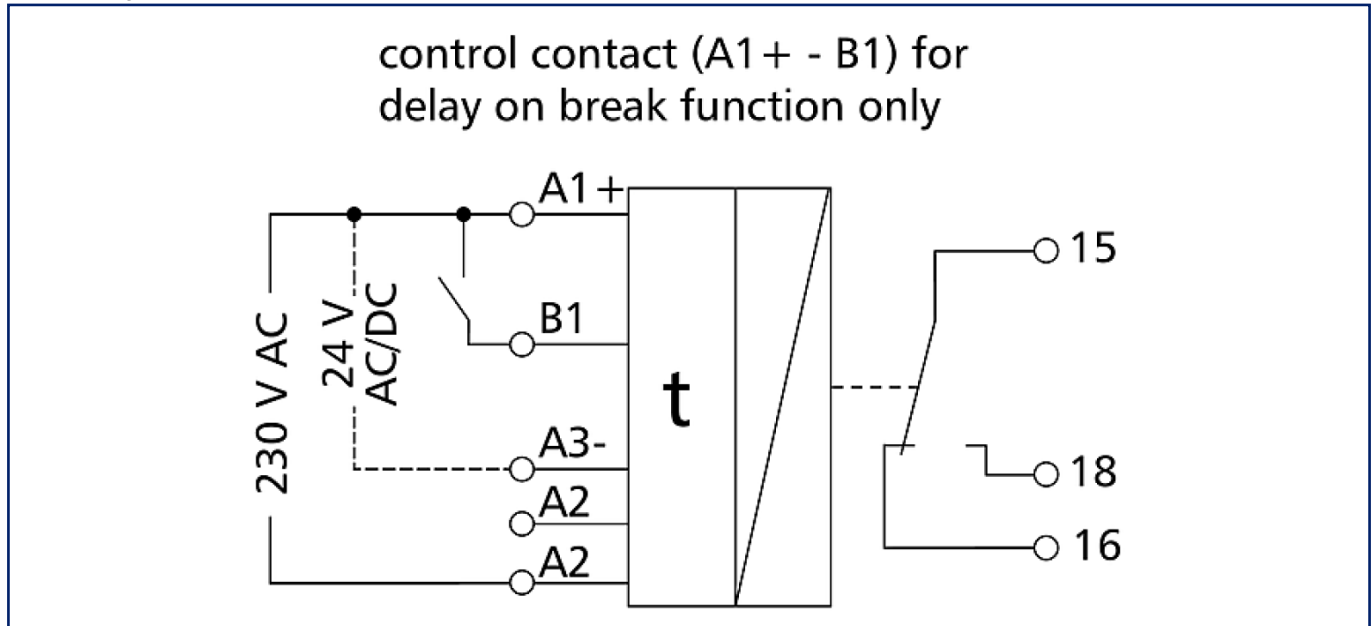
A1+	A3-	A2	A2
15	16	18	B1

A1+ - A2
 operating voltage
 230 V AC
A1+ - A3-
 operating voltage
 24 V AC/DC
A1+ - B1
 control contact
15 - 16 - 18
 output contact
 1 changeover

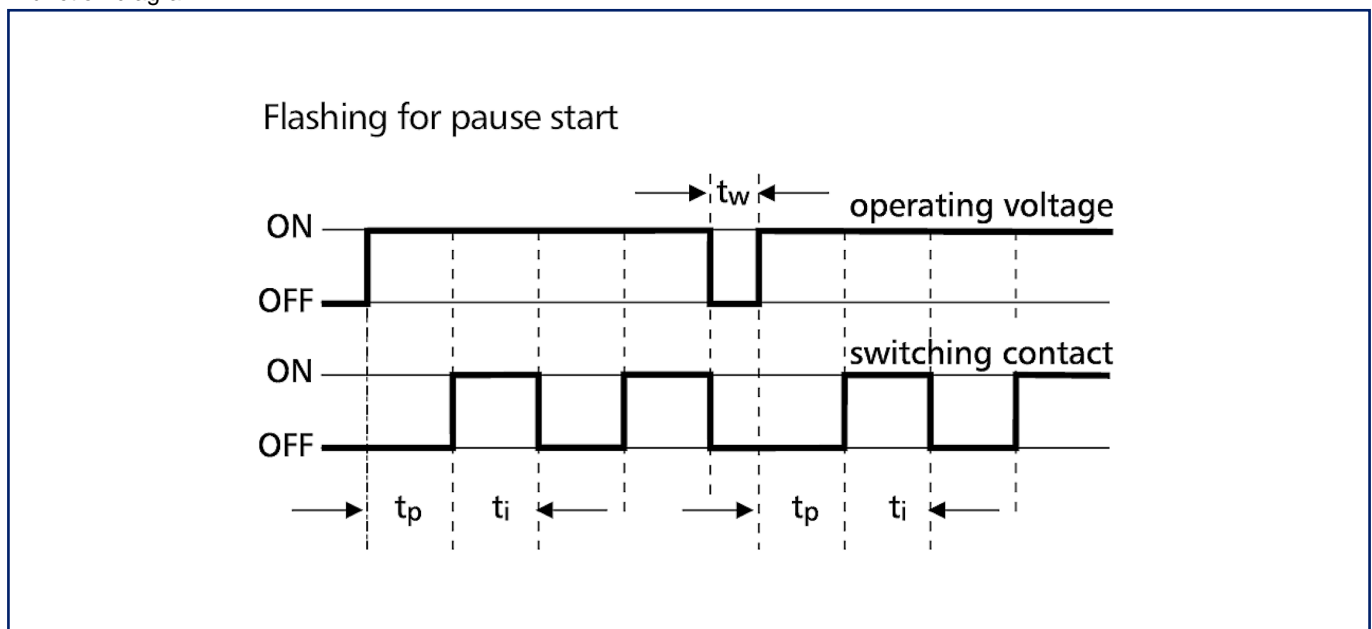
Caution!
Terminal B1 is not isolated.

Illustrations

Circuit diagram

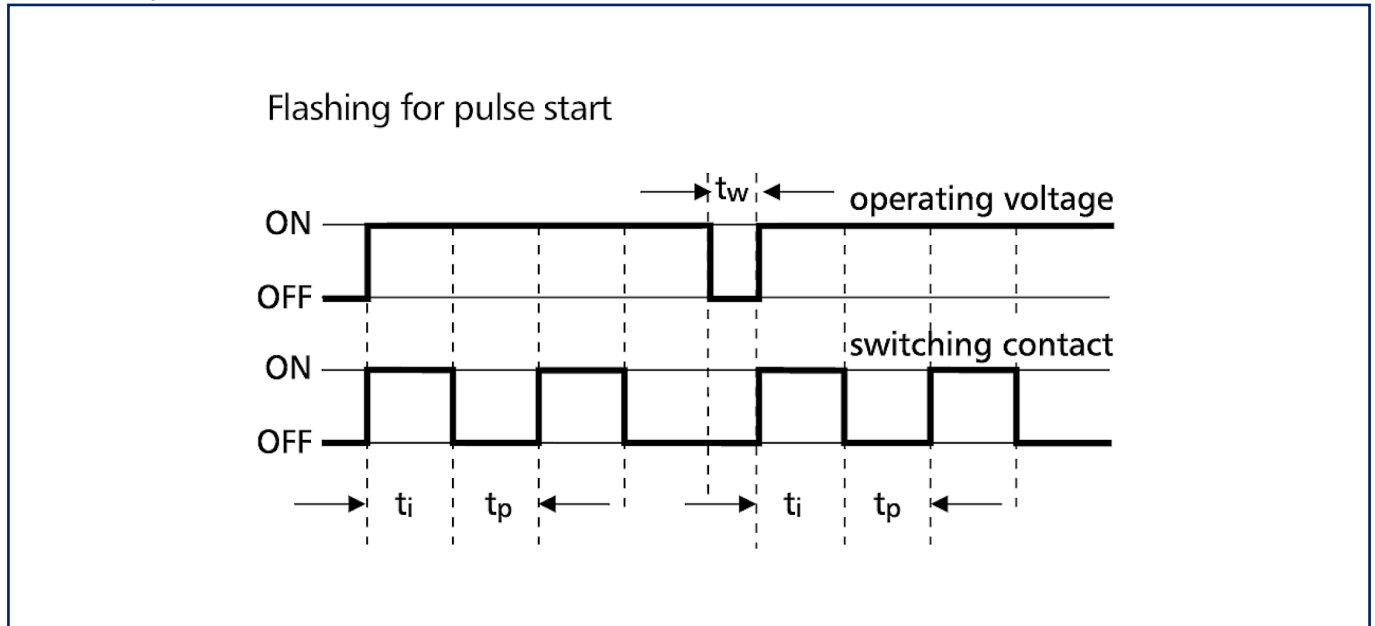


Function diagram

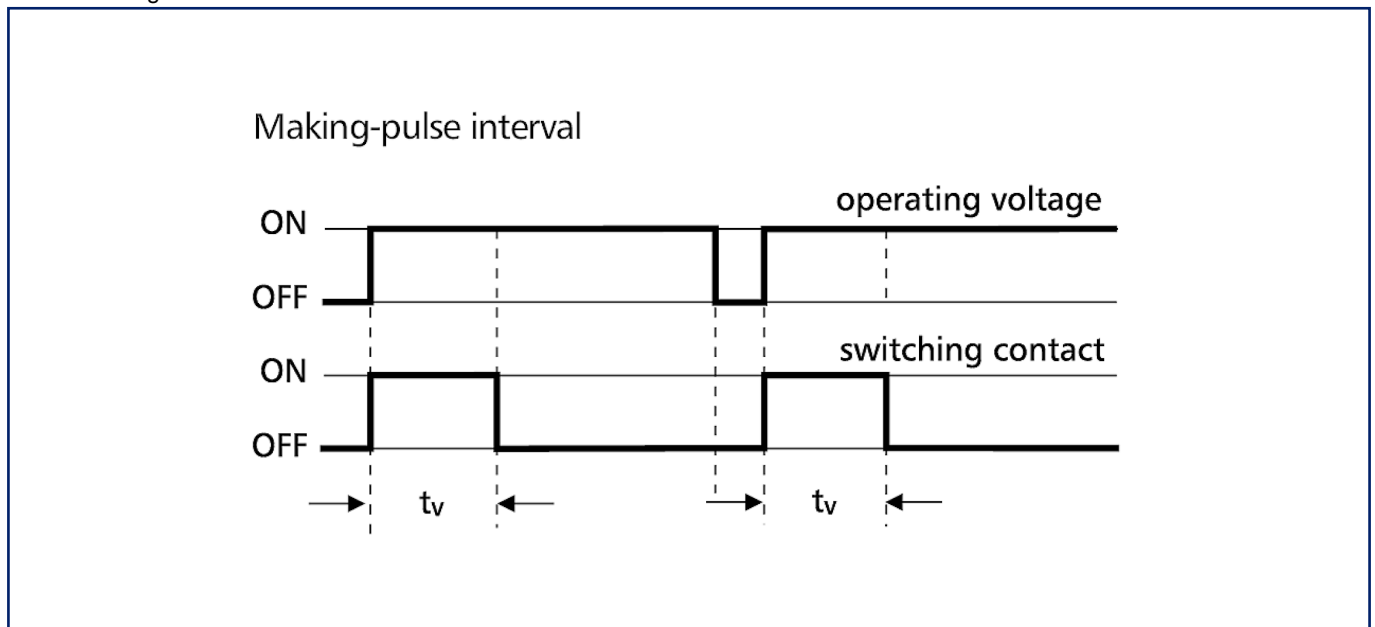


Illustrations

Function diagram

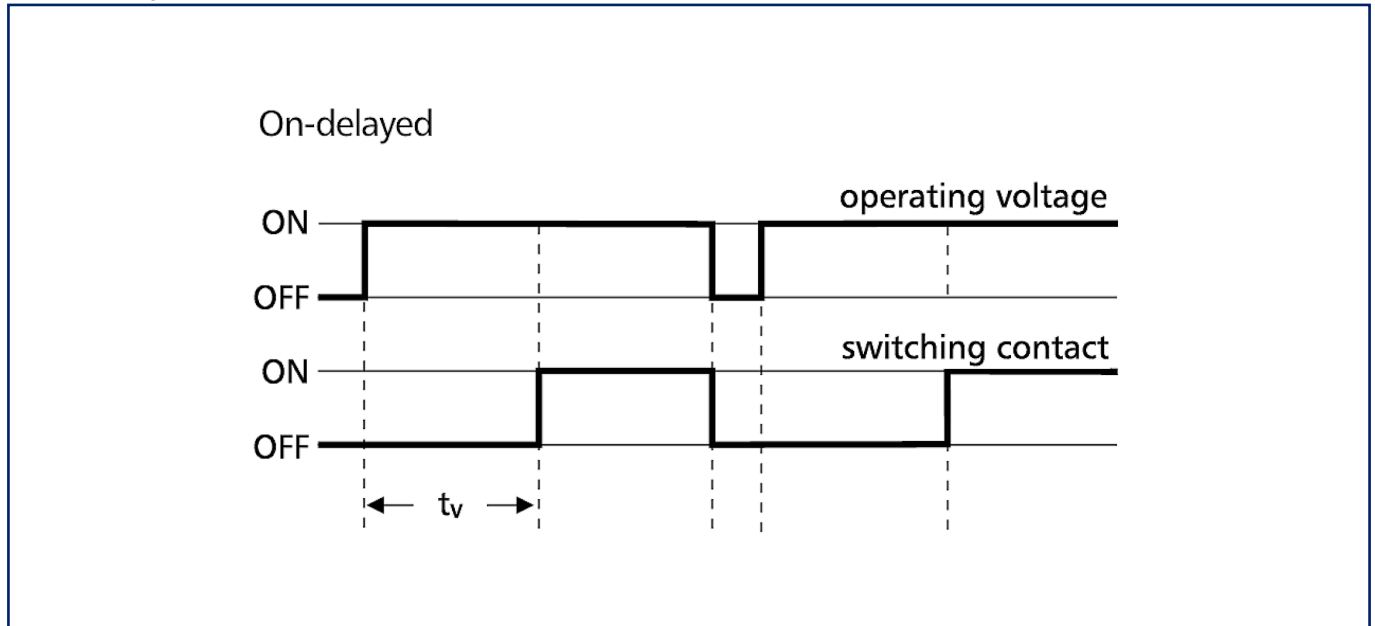


Function diagram



Illustrations

Function diagram



Function diagram

