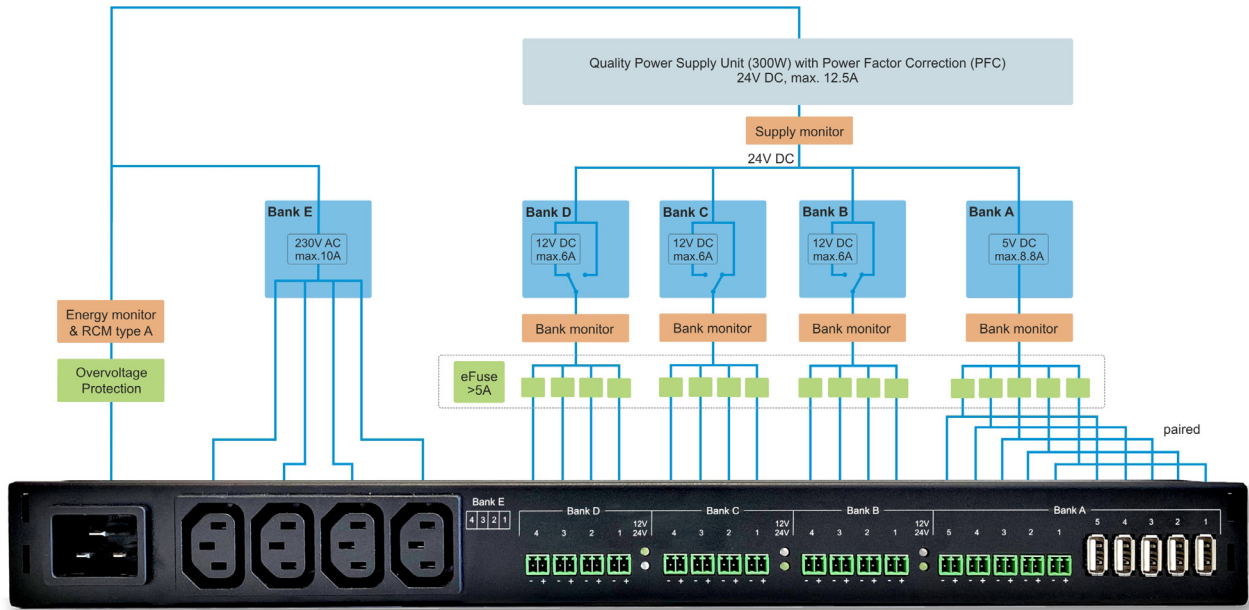


Layout of Expert Power Control 8291-1 (simplified)



Ordering Information

Order Code	Product	Rear connectors
8291-1	Expert Power Control 8291-1	4 x IEC C13 (230 V), 3 x 4 x PTR multi-connector (12 V or 24 V), 5 x PTR multi-connector (5 V) or 5 x USB type A (5 V, charge-only), power supply IEC C20 (max. 16 A, 230 V), Dimensions: LxHxD: 43.9 x 4.4 x 24.1 cm (without brackets), 1 RU

Order Code	Product	Feature
7104 *	Temperature Sensor 7104	Cable sensor, RJ45 connector, -20°C to +80°C, cable ca. 2.3 m
7105 *	Temp./Humidity Sensor 7105	Cable sensor, RJ45 connector, -20°C to +80°C, 0-90% humidity, cable ca. 2.3 m
7106 *	Temp./Humidity/Air pressure Sensor 7106	Cable sensor, RJ45 connector, 20°C to +80°C, 0-90% humidity, 300-1100 hPa, cable ca. 2.3 m

* Sensors also available with calibrated temperature range: 7104-2, 7105-2, 7106-2

0804	IEC Extension Cable 0804	Extension cable for IEC C13 to C14, length: 3 m
0871	Desk/Wall Bracket 0871	Accessories for mounting a 19-inch device under a tabletop or on a wall
0872	Cable Holder 0872	13 fixation bridges for load cables at the rear side