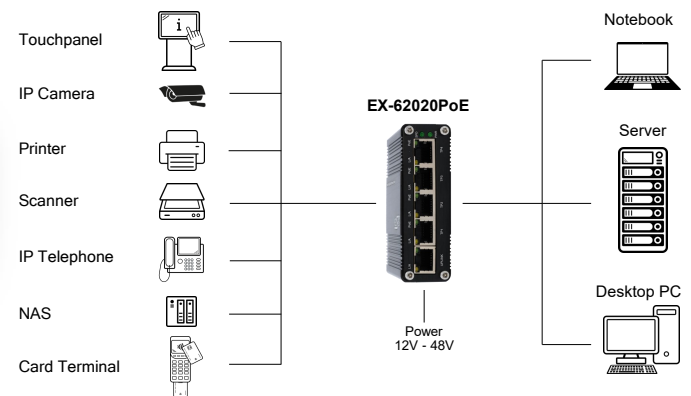


Bild / Picture

Anwendung / Application



5-Port Mini Gigabit Ethernet PoE+ Switch für Temperaturen von -40°C bis +80°C

5-Port Mini Gigabit Ethernet PoE+ Switch for temperatures from -40°C to +80°C

Beschreibung

Description

Der äusserst kompakte industrietaugliche 5-Port Gigabit Switch EX-62020PoE bietet trotz seiner geringen Aussenmaße volle Gigabit Leistung an allen Ports. An den Downlink-Ports stehen jeweils bis zu 30W für den Anschluss von PoE Power Devices (PD) wie z.B. IP-Kameras oder IP-Telefone zur Verfügung. Dank dem robusten Metallgehäuse und dem erweiterten Betriebstemperaturbereich von -40°C bis 80°C ist er für eine Vielzahl von Anwendungen auch in rauen Umgebungen geeignet. Die Stromversorgung erfolgt über den Terminal Block (12-48VDC) und kann zur Verminderungen von Betriebsausfällen auch redundant erfolgen. Der EX-62020PoE unterstützt Auto-MDI/MDI-X und Auto-Negotiation.

The extremely compact industrial 5-port Gigabit Switch EX-62020PoE offers full Gigabit performance on all ports despite its small external dimensions. The downlink ports provide up to 30W each for connecting PoE power devices (PD) such as IP cameras or IP phones. Thanks to the rugged metal housing and the extended operating temperature range from -40°C to 80°C, it is suitable for a wide range of applications even in harsh environments. Power is supplied from the terminal block (12-48VDC) and can be redundant to reduce operational downtime. The EX-62020PoE supports Auto-MDI/MDI-X and Auto-Negotiation.

Merkmale

Features

<ul style="list-style-type: none"> • 5-Port 10/100/1000T Gigabit Ethernet 	<ul style="list-style-type: none"> • 5-Port 10/100/1000T Gigabit Ethernet
<ul style="list-style-type: none"> • Stromversorgung von bis zu 4 PoE-fähigen Remote-Netzwerkgeräten, überträgt Daten und Strom über das gleiche Kabel 	<ul style="list-style-type: none"> • Power up to 4 PoE-capable remote network devices, transfers data and power on one single cable
<ul style="list-style-type: none"> • Vollständig kompatibel mit IEEE 802.3af PoE (PSE) Type 1 = 15.40W und IEEE802.3at PoE+ (PSE) Type 2 = 34.20W 	<ul style="list-style-type: none"> • Fully IEEE 802.3af compliant PoE (PSE) type 1 = 15.40W and IEEE802.3at PoE+ (PSE) type 2 = 34.20W
<ul style="list-style-type: none"> • Maximale abgegebene Leistung (PD): Type 1 = 12.95W / Type 2 = 25.50W 	<ul style="list-style-type: none"> • Maximum power delivered (PD): Type 1 = 12.95W / Type 2 = 25.50W
<ul style="list-style-type: none"> • Vollständig IEEE 802.3af/at Power Over Ethernet (PoE) konform 	<ul style="list-style-type: none"> • Fully IEEE 802.3af/at Power Over Ethernet (PoE) compliant
<ul style="list-style-type: none"> • Auto-MDI/MDIX macht Crossover-Kabel überflüssig 	<ul style="list-style-type: none"> • Auto-MDI/MDIX eliminates the need for crossover cables
<ul style="list-style-type: none"> • Unterstützt Auto-Negotiation und 10/100Mbps Halb-/Voll duplex und 1000Mbps Voll duplex 	<ul style="list-style-type: none"> • Supports auto-negotiation and 10/100Mbps half/full duplex and 1000Mbps full duplex
<ul style="list-style-type: none"> • Unterstützt Jumbo Frames bis 9kBytes 	<ul style="list-style-type: none"> • Supports jumbo frames up to 9kBytes
<ul style="list-style-type: none"> • Plug and Play, keine Konfiguration und Installation erforderlich 	<ul style="list-style-type: none"> • Plug and play, no configuration and installation required
<ul style="list-style-type: none"> • Terminal Block für redundanten DC-Eingang, 2x 12 V bis 48 VDC 	<ul style="list-style-type: none"> • Terminal block for redundant DC input, 2x 12 V to 48 VDC
<ul style="list-style-type: none"> • Robustes, sehr kompaktes Metallgehäuse, IP40 	<ul style="list-style-type: none"> • Rugged, very compact metal housing, IP40
<ul style="list-style-type: none"> • Inkl. DIN-Rail Kit und Wandmontagebügel 	<ul style="list-style-type: none"> • Includes DIN-Rail Kit and wall mounting bracket
<ul style="list-style-type: none"> • Erweiterter Betriebstemperaturbereich von -40°C bis +80°C 	<ul style="list-style-type: none"> • Extended operating temperature range from -40°C to +80°C

System / OS

Geprüft / Approved

Verpackung / Packaging

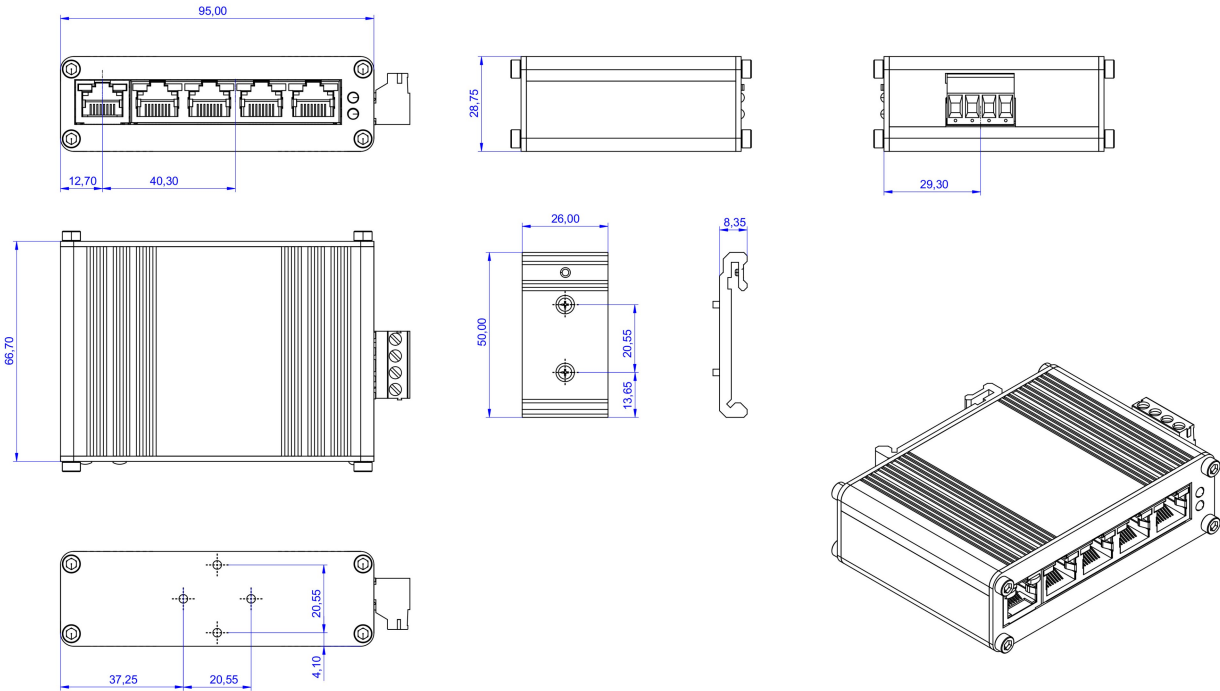


Spezifikation

Specification

Datentransfer-Rate:	10/100/1000 Mbit/s	Data transfer rate:	10/100/1000 Mbit/s
Anschlüsse:	1x RJ45-Buchse Upstream 4x RJ45-Buchse PoE Downstream 1x Terminal Block +12V bis +48V	Connectors:	1x RJ45 LAN Port Upstream 4x RJ45 PoE Port Downstream 1x Terminal Block +12V to +48V
Hardwaresysteme:	Ethernet 10/100/1000Mbps	Hardware system:	Ethernet 10/100/1000Mbps
Betriebssysteme:	Für alle Betriebssysteme geeignet	Operating systems:	Suitable for all operating systems
Ethernet Standards	IEEE 802.3 Ethernet IEEE 802.3u Fast Ethernet IEEE 802.3ab Gigabit Ethernet IEEE 802.3x Full-Duplex Flow Control IEEE 802.3az Energy Efficient Ethernet (EEE) IEEE 802.3at Power over Ethernet Plus PSE IEEE 802.3af Power over Ethernet Plus	Ethernet Standards	IEEE 802.3 Ethernet IEEE 802.3u Fast Ethernet IEEE 802.3ab Gigabit Ethernet IEEE 802.3x Full-Duplex Flow Control IEEE 802.3az Energy Efficient Ethernet (EEE) IEEE 802.3at Power over Ethernet Plus PSE IEEE 802.3af Power over Ethernet Plus
Forward & Filtering Rate:	14'880 pps (10Mbps) 148'800 pps (100Mbps) 1'488'000 pps (1000Mbps)	Forward & Filtering Rate:	14'880pps (10Mbps) 148'800pps (100Mbps) 1'488'000pps (1000Mbps)
Paketpuffer:	1 Mbits	Packet Buffer:	1Mbits
Paketlänge:	10 Kbytes	Packet Length:	10Kbytes
MAC-Adresstabelle:	8000 Einträge	MAC Address Table:	8000 entries
Switching Fabric:	10 Gbps/non-blocking	Switching Fabric:	10Gbps/non-blocking
Backplane Bandbreite:	20 Gbps	Backplane bandwidth:	20Gbps
Paket-Weiterleitungsrate:	14'88 Mpps	Packet forwarding rate:	14'88Mpps
Power Pin Belegung:	4/5(+), 7/8(-)	Power Pin Assignment:	4/5(+), 7/8(-)
PoE-Budget:	120 W @ 48VDC, 90 W @ 24VDC, 60 W @ 12VDC	PoE Budget:	120W @ 48VDC, 90W @ 24VDC, 60W @ 12VDC
MTBF:	> 200'000 Stunden	MTBF:	> 200'000 hrs
Zulassungen:	ISO9001 EN55022:2010+AC: 2011, Class A EN 61000-3-2: 2006+A1: 2009+A2: 2009 EN 61000-3-3: 2013 EN55032:2017 IEC 61000-4-2: 2008 (ESD) IEC 61000-4-3: 2010 (RS) IEC 61000-4-4: 2012 (EFT) IEC 61000-4-5: 2014 (Überspannung) IEC 61000-4-6: 2013 (CS) IEC 61000-4-8: 2009 (PFMF)	Regulatory Approvals:	ISO9001 EN55022:2010+AC: 2011, Class A EN 61000-3-2: 2006+A1: 2009+A2: 2009 EN 61000-3-3: 2013 EN55032:2017 IEC 61000-4-2: 2008 (ESD) IEC 61000-4-3: 2010 (RS) IEC 61000-4-4: 2012 (EFT) IEC 61000-4-5: 2014 (Surge) IEC 61000-4-6: 2013 (CS) IEC 61000-4-8: 2009 (PFMF)
Betriebstemperatur :	-40°C bis +80°C Celsius	Operating temperature :	-40°F up to 176°F
Lagertemperatur:	-40°C bis +85°C Celsius	Storage temperature:	-40°F up to 185°F
Rel. Luftfeuchtigkeit:	5% bis 95%	Rel. Humidity:	5% to 95%
Schutzklasse:	IP 40	Protection class:	IP 40
Stromversorgung:	2x +12V bis +48V (Terminal Block), redundant	Power Supply:	2x +12V to +48V (Terminal Block), redundant
Leistungsaufnahme:	<6 W (bei PoE-Verwendung: <125 W)	Power Consumption:	<6W (PoE in use: <125W)
Abmessung:	95.00 x 68.00 x 30.00 mm	Size:	95.00 x 68.00 x 30.00 mm
Gewicht:	370 g	Weight:	370 g
EAN:	4718359620232	EAN:	4718359620232
Ursprungsland:	China	Country of origin:	China
Lieferumfang:	EX-62020PoE, DIN-Rail Kit (vormontiert), Wandmontage Kit, Handbuch	Packaging contents:	EX-62020PoE, DIN-Rail Kit (pre-assembled), Wall-mount Kit, Manual

Maße / Dimension



Bilder / Pictures



Zubehör / Accessories

EX-6980	Netzteil / Power Supply	HDR-60-12	Output: DC 12V/4.5A/54W	Input: 85V - 264VAC	Operating Temperature: -30°C - +70°C
EX-6974	Netzteil / Power Supply	HDR-100-24	Output: DC 24V/3.83A/92W	Input: 85V - 264VAC	Operating Temperature: -30°C - +70°C
EX-6945	Netzteil / Power Supply	SDR-120-48	Output: DC 48V/2.5A/120W	Input: 85V - 264VAC	Operating Temperature: -25°C - +70°C
EX-K1110	Kabel / cable DC-Jack to Terminal Block				

EX-6980



EX-6974



EX-6945



EX-K1110

