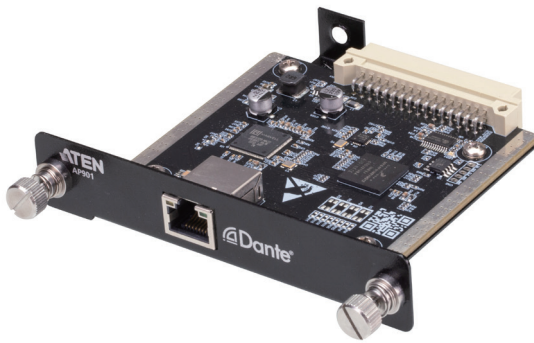


2-CH Dante Expansion Card for AP Series

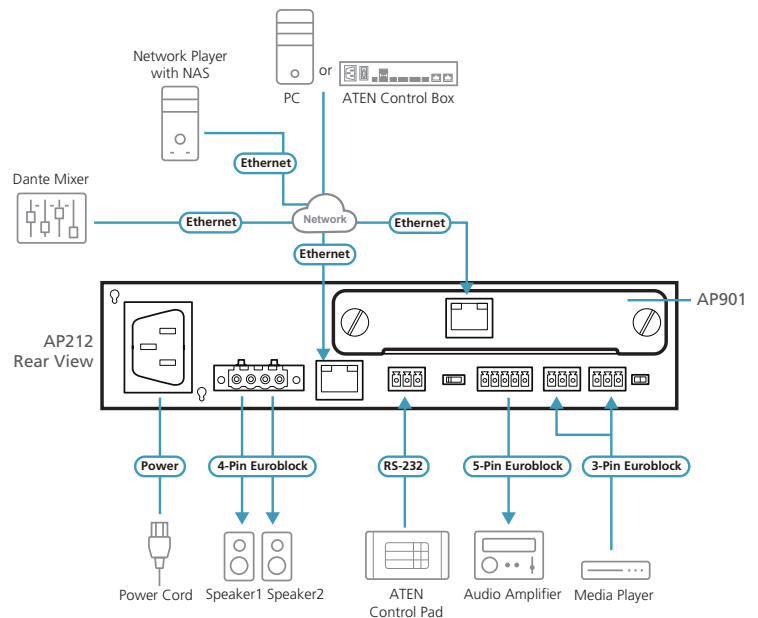
AP901

Dedicated for use with ATEN's AP DSP Power Amplifier series, the AP901 allows the AP amplifiers to receive 2 inputs of high-quality, low-latency digital audio via the Dante® AoIP solution. The range of Dante-based applications are broadened thanks to the easy integration with various Dante-enabled equipment, from digital mixers, DSPs, and more, brought by the AP901 working in conjunction with the AP amplifiers. The AP901 delivers industry standard audio quality at 24-bit depth and supports sampling rates of 44.1 / 48 kHz, ensuring excellent audio integrity while fulfilling different environment needs. The installation into the AP power amplifiers' expansion slot is easy. With all the Dante-enabled devices being manageable and configurable fully through the Dante Controller software, the utilization of AP901 helps further enhance flexibility and streamline workflows in any Dante network infrastructure including broadcasting, recording, and other professional audio distribution scenarios. Furthermore, with just one Ethernet cable and some simple mouse clicks, ATEN's Dante networking technology eliminates the need for traditional analog cables, expanding Dante network coverage and distributing AV signals across multiple locations at once.



Features

- Dedicated for use with ATEN's AP DSP Power Amplifier series
- Allows AP power amplifiers to receive 2 inputs of high-quality, low-latency digital audio via Dante AoIP solution
- Enables AP power amplifiers to easily integrate with Dante-enabled devices, such as digital mixers, processors, and media players
- Supports 24-bit and sampling rates of 44.1 / 48 kHz
- Compatible with Dante Controller software to achieve streamlined workflow
- Easy to be installed into the AP power amplifiers' expansion slot
- Firmware upgradable via Dante LAN



Note: It is strongly recommended that you use a shielded Cat 5e cable (or higher) for better network connectivity.

Specifications

	AP901
Network Protocol	
100/1000 Mbps	Dante Ultimo
Connector	RJ-45
Audio Sampling	
	24-bit, 44.1 / 48 kHz
Compliance	
Certification	
	FCC, CE, UKCA Tested with AP2 Amplifier
Environmental	
Operating Temperature	0 – 50 °C
Humidity	0 – 80 % RH, Non-Condensing
Storage Temperature	-20 – 60 °C
Physical Properties	
Weight	0.122 kg
Housing	Metal Panel
Dimensions (L x W x H)	11.5 x 11 x 2.2 cm

ATEN International Co., Ltd.

3F., No.125, Sec. 2, Datung Rd., Sijhih District., New Taipei City 221, Taiwan
 Phone: 886-2-8692-6789 Fax: 886-2-8692-6767
 www.aten.com E-mail: marketing@aten.com

Product information is subject to change without prior notice.

Released: 01/2024 V1.0

© Copyright 2024 ATEN® International Co. Ltd.
 ATEN and the ATEN logo are registered trademarks of ATEN International Co., Ltd.
 All rights reserved. All other trademarks are the property of their respective owners.

