

ROLINE KVM Switch, with USB Hub, HDMI 4K@60Hz, 2x USB A + 1x USB C

User Manual

14.01.3427

I. Description

Routes HDMI signals in multiple resolutions up to 4K@60Hz from the two USB-C sources to a HDMI display. The USB 3.0 / USB 3.2 Gen 1 Hub provides 5Gbps data signaling rate. With USB-C PD you can charge your devices, without worrying about power shortage.

II. Features

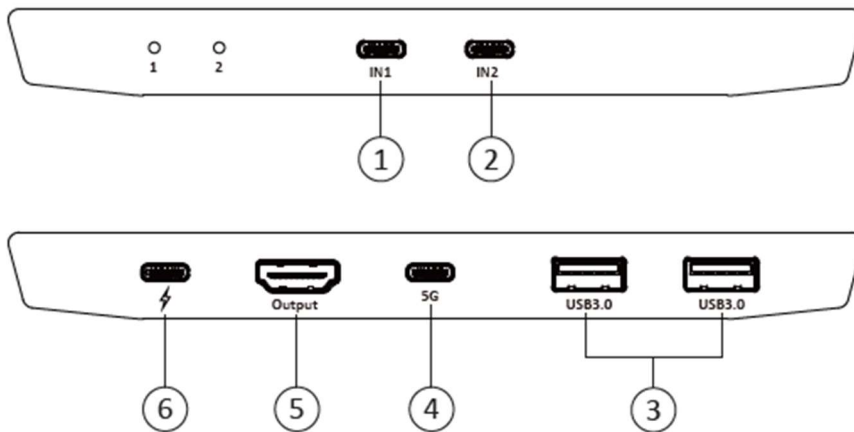
- Switches video and USB sources between 2 USB-C ports.
- Use the button to switch the signal source.
- Supports HDMI resolutions up to 4K@60Hz.
- 2 USB-A ports and 1 USB-C port provide 5Gbps data signaling rate.
- USB-C PD 3.0 100W charging ability.

It is recommended to use a power supply with 100W or above. With a power supply lower than 60W, charging does not work.

- Single port plug-in: maximum charging 20V/4A 80W
- If port 1 and port2 have devices connected:
 - The maximum power of port 1 is 20V/3.00A (60W)
 - The maximum power of port 2 is 5V~9V/2.22A (20W)

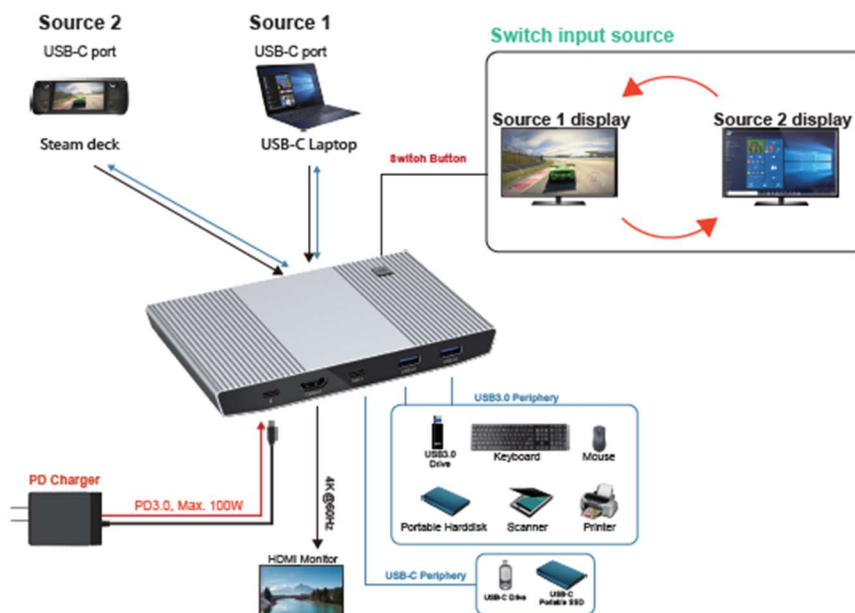
	IN1	IN2
Power Distribution	80W	-
	-	80W
	60W	20W

III. Device Overview



Number	Description	Function
1	USB-C	Connect to input 1
2	USB-C	Connect to input 2
3	USB 3.2 Gen. 1 / USB 3.0	Connect to USB 3.2 Gen. 1 / USB 3.0 device
4	USB-C	Connect to USB-C device
5	HDMI	Connect to Monitor
6	USB-C (PD)	Connect to PD charger

IV. Application



It is recommended to use a power supply with 100W or above. With a power supply lower than 60W, charging does not work.