

# ROLINE HDMI Dual Head KVM Switch 4K60

14.01.3047

## User Manual

Version 1.0

### **Introduction**

This ROLINE HDMI Dual Head KVM Switch 4K60 allows the control of two computers with 4K dual HDMI video output via a single console set of USB keyboard/mouse/hub, as well as microphone, speaker and display. It has built-in USB 2.0 compliant ports as well as 3.5mm mini stereo ports which allow sharing USB keyboard/mouse/hub as well as speaker and microphone among the connected computers. The switching between the connected computers is executed by using the front panel pushbutton and keyboard hotkey commands alternative. Product set-up for use is quick and simple with no software to install, so you are ready to go right out of the box.

## Features

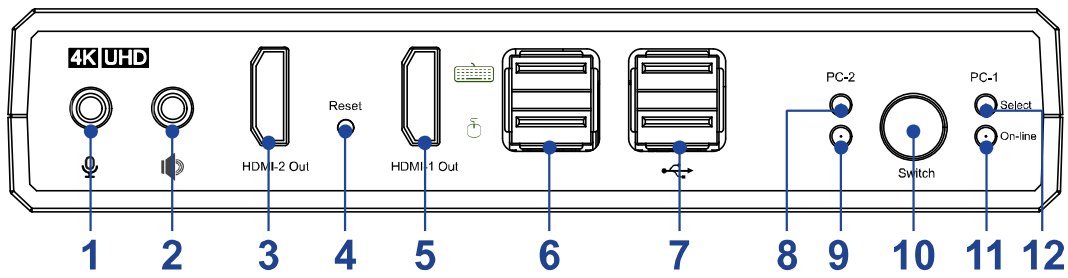
Features	Description
2-Port KVM Switch	Control two computers via one USB console.
4K HDMI video display	Supports the computer with resolutions up to 4K UHD (3840 x 2160 @ 60 Hz) single/dual-head HDMI video output.
HDMI & HDCP compliant	HDMI 2.0 & HDCP 2.2 compliant
DisplayPort compliant	DisplayPort 1.2 compliant
PC source video-dual input	2x HDMI & 2x DisplayPort
Switch by push button and keyboard hotkey	Switching of the PC
Hot Plugging	Computers and devices can be unplugged and re-plugged without having to shut down the KVM switch.
LED status indication	Indicates the connected computers' statuses
USB 2.0 compliant keyboard/mouse	Keyboard and mouse to control the computer
USB 2.0 Hub	USB 2.0 Hub to connect peripheral devices
3.5 mm Mini Stereo ports (speaker & microphone)	The computer's audio line in/out.
No Software Needed	No software installation needed.

## Specifications

Physical	Description
Connectors	Console: 2x HDMI female for video output 2x USB Type A female for HID devices (mouse and keyboard) 2x USB Type A female for USB 2.0 hub 2x 3.5-mm audio phone jack PC: 2x HDMI female for video input 2x DisplayPort female for video input 2x USB Type B female 4x 3.5-mm audio phone jack Other: 2.1-mm barrel plug for power
Console x PC	1 x 2
PC Port switch interface	1 x push button
LED interface	Shows PC port selection status and connection status
Dimensions	32 x 167 x 84 mm
Weight	227 g
Power Supply	Input: 100-240 VAC, 50/60Hz, 0.4A; Output: 5V, 2A
Storage Temperature	-20°C - 60°C
Operating Humidity	0% - 80% RH

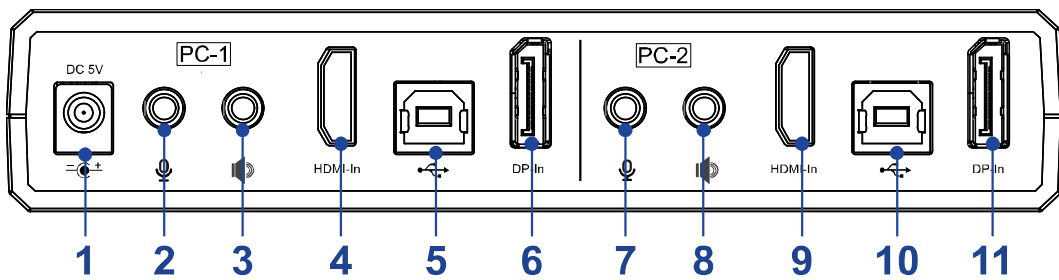
# Hardware Description

## Dual-Head Front Panel



No.	Component	Description
1	Audio jack	Microphone port at console
2	Audio jack	Speaker/Earphone port at console
3	HDMI connector	HDMI-2 output at console
4	Reset button	Press to reset the system to default
5	HDMI connector	HDMI-1 output at console
6	USB Type A connector 2x	USB keyboard & mouse ports at console
7	USB Type A connector 2x	USB hub ports at console for peripheral devices
8, 12	Selected PC/server indicator	Light to indicate that the PC/server connected to the corresponding port is being accessed by the KVM console
9, 11	On-line PC/server indicator	Light to indicate that the PC/server connected to the corresponding port is up and running
10	PC port switch button	Press once to switch the console port connection between the two connected PC/server cyclically

## Dual-Head Rear Panel



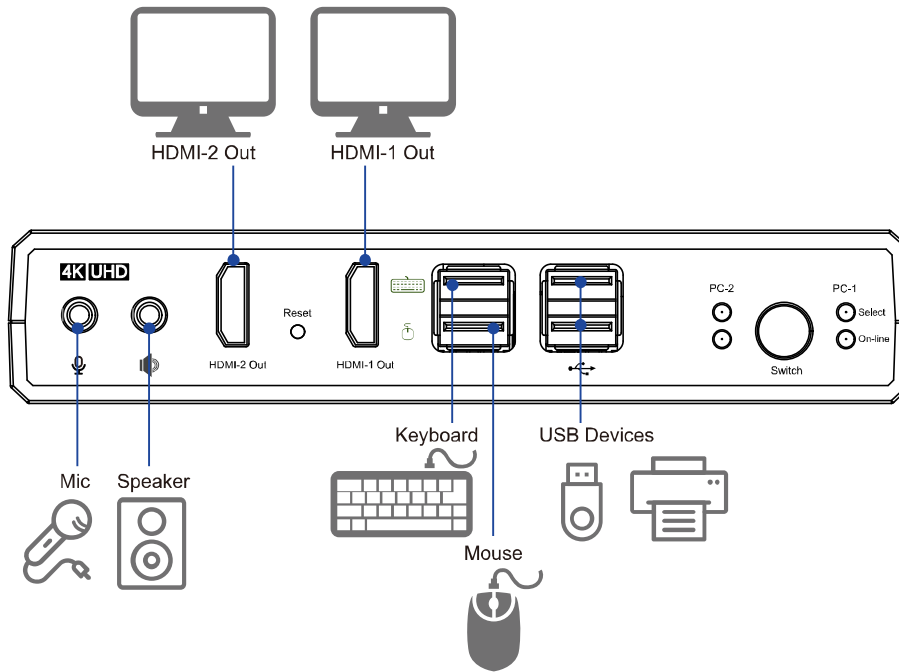
No.	Component	Description
1	Power DC jack	Power supply for the KVM switch
2	Audio jack	Microphone port for PC-1
3	Audio jack	Speaker/Earphone port for PC-1
4	HDMI connector	HDMI input for PC-1
5	USB Type B connector	USB port for PC-1
6	DisplayPort connector	DisplayPort input for PC-1
7	Audio jack	Microphone port for PC-2
8	Audio jack	Speaker/Earphone port for PC-2
9	HDMI connector	HDMI input for PC-2
10	USB Type B connector	USB port for PC-2
11	DisplayPort connector	DisplayPort input for PC-2

# Installation

## Dual-Head

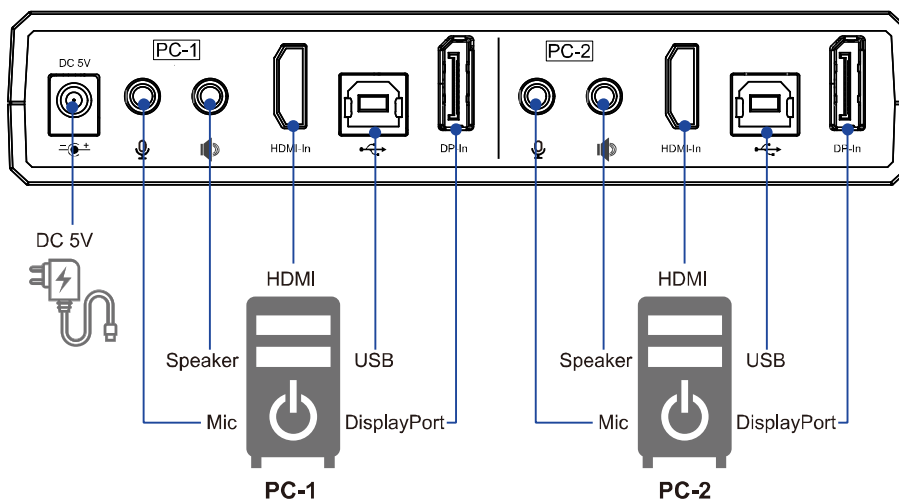
Refer to the following steps and diagrams to set up your dual-head KVM switch.

### Console Side (Front View)



1. Connect HDMI monitors to the “HDMI Out” console ports on the front panel of the KVM switch.
2. Connect your USB keyboard and USB mouse directly to the USB keyboard and mouse ports on the front panel of the KVM switch.
3. Connect the microphone and speaker to the corresponding 3.5 mm Mini Stereo console jacks on the front panel of the KVM switch.
4. Connect your USB devices into the USB ports (optional).

### PC Side (Rear View)



1. Prepare the relevant cables and plug the DisplayPort/HDMI, USB, microphone, and speaker plugs into their corresponding sockets on the back panel of the KVM switch.
2. Plug the DisplayPort/HDMI, USB, microphone, and speaker plugs into their respective ports on the first computer (PC-1).
3. Repeat above steps to add the second computer (PC-2).
4. Connect the power supply to the KVM switch, and then plug it into an appropriate power source.
5. Turn on the power on all connected devices.

## Operation

### PC Port Switching

There are two ways of accessing computers and devices connected to the KVM switch:

- Push button
- Hotkey

#### Push button

- Press the push button once to switch the selected PC port between the two connected computers cyclically.

#### Hotkey

- Hotkey is executed using only the keyboard.
- The following describes the hotkey functionality availability.

##### Hotkey Execution Procedure:

1. Press [Scroll Lock] key twice continuously to enter “Hotkey” mode.  
While being in “Hotkey” mode, “Scroll Lock” LED of the keyboard flashes continuously. Or press “Ctrl” instead, if “Scroll Lock” is non-built.  
When entering or exiting from “Hotkey” mode, buzzer of the KVM switch beeps.
2. Pressing [Scroll Lock] key twice continuously MUST be completed within 5 seconds.
3. Keying hotkey command MUST be completed with 10 seconds, or it will be aborted.

#	Hotkey Command	Description	Function
1	[Scroll Lock] [Scroll Lock] [Enter] Or [Ctrl] [Ctrl] [Enter]	PC-1 ↔ PC-2	PC port cyclic switching
2	[Scroll Lock] [Scroll Lock] [B] [Number] Or [Ctrl] [Ctrl] [B] [Number]	Number: 0 / 1 0: Disable 1: Enable (Default)	Buzzer switch on/off
3	[Scroll Lock] [Scroll Lock] [S] Or [Ctrl] [Ctrl] [S]	- How to stop Auto-Scan when it is on: 1. Press any key of the keyboard 2. Press the push button once - When Auto-Scan stops, PC port is switched to the one being scanned.	Auto-Scan enabling
4	[Scroll Lock] [Scroll Lock] [I] [Number] [Enter] Or [Ctrl] [Ctrl] [I] [Number] [Enter]	Number: 5 - 99 (Default: 8)	Auto-Scan time interval setting

\*\* KVM switch will keep the hotkey setting values when it restarts.

## **Disclaimer**

Information in this document is subject to change without notice. The manufacturer does not make any representations or warranties (implied or otherwise) regarding the accuracy and completeness of this document and shall in no event be liable for any loss of profit or any other commercial damage, including but not limited to special, incidental, consequential, or other damages.

No part of this document may be reproduced or transmitted in any form by any means, electronic or mechanical, including photocopying, recording or information recording and retrieval systems without the express written permission of the manufacturer.

All brand names and product names used in this document are trademarks, or registered trademarks of their respective holders.

---