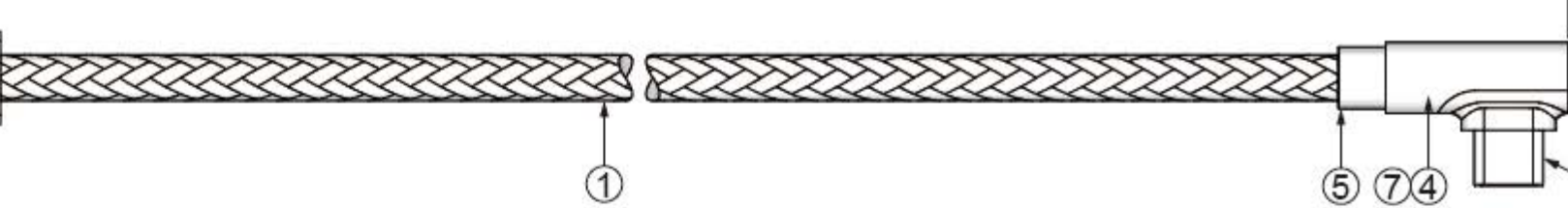
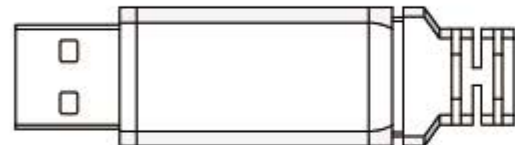
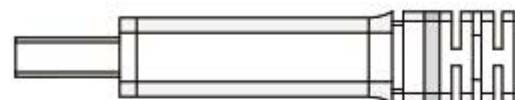
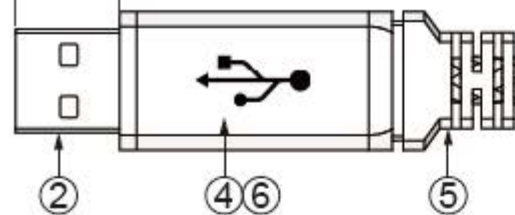


USB A Plug

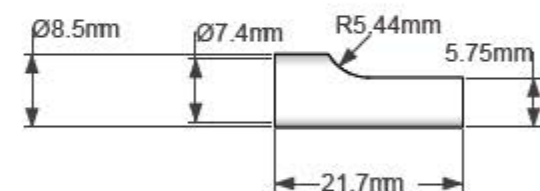
USB Type C Plug

12±0.3mm

L±Tmm



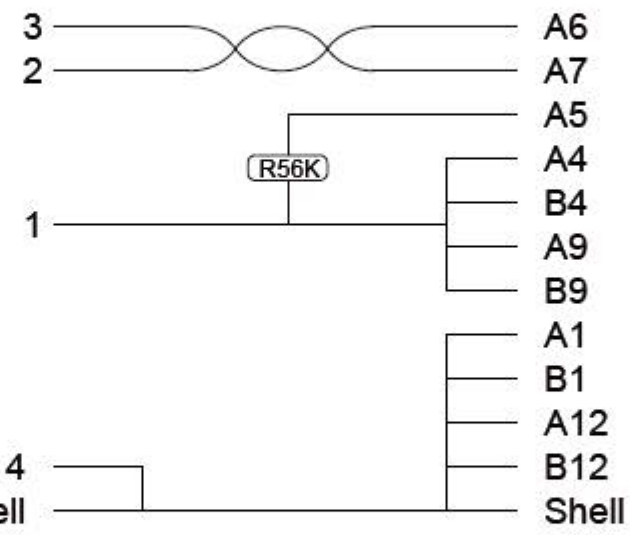
5 7 4 3



Pin Assignment

USB A Plug

USB Type C Plug



Specification :

- 1. Cable 28AWG*1P+24AWG*2C+AEB, Jacket with Braid, OD: 4.5mm(with Braid: 5.5mm)
- 2. Conn. USB A Plug, Conductor: Gold Plated, Shell: Gold Plated, Insulator: White
- 3. Conn. USB Type C Plug, Conductor: GoldPlated, Shell: Gold Plated, Insulator: Black
- 4. Inner Molding LDPE
- 5. Outer Molding PVC: 45P, Color Black
- 6. Hood For USB A Plug, Aluminum, Color: Gold
- 7. Hood For USB Type C Plug, Aluminum, Color: Gold

P/N	Length
11.02.9060	800±30mm
11.02.9061	1800±50mm
11.02.9062	3000±50mm



Product Name	ROLINE GOLD USB 2.0 Cable A Reversible - C Angled 90°, M/M
Product No.	11.02.9060/11.02.9061/11.02.9062

Approve	Check	Draw	Design	Rev.	Date	Contents of Change	Design
Allen	Allen	Kuan	Kuan	1			
				2			
				3			

Drawing Date : 2019/05/27

Scale 1:1 Unit : mm